

The sinuous mountain range of Aitana has inspired the creation of a new versatile chair that combines lightness, aesthetics and great versatility. Aitana is a new commitment to sustainable, organic and versatile design. An infinity of solutions adapted to every need, never forgetting the necessary comfort for everyday life. Aitana cantilever and 4 legs with or without armrests, stackable up to 8 units.

AITANA



3 SEATING OPTIONS,
PLASTIC, WOOD
AND UPHOLSTERED

CANTILEVER AND
STOOL

MADE IN THE
EUROPEAN UNION

EN
16139
2013



Designed by RAFA ORTEGA

In 1985 he studied industrial design in Barcelona. In 1992 he went back to Valencia to work as a freelancer for his own clients and to collaborate with different companies.

Since 1994, he has been running his own studio with Cristina Gutiérrez (gutierrezyortega diseño), specialising in furniture projects for offices, communities and the home. Design of accessories, complements and bathroom furniture, both technical and domestic lighting.

It has developed its activity in a wide range of fields, from the creation of exhibitions, stands, ephemeral installations, interior design projects and the design of buildings for businesses and family homes.

3 page
Swivel chair



9 page
Rod frame stool

4 page
Cantilever 4 radius
pyramidal base



10 page
Pyramidal stool

5 page
4-leg chair



11 page
Bench

7 page
Cantilever skid



12 page
Benchs accessories

8 page
Cantilever 4 radius
fixed wooden pyramidal



13 page Dimensions

14 page Sustainable Aitana

15 page Finishes

16 page Instructions for use

17 page Assembly instructions

27 page Certificates, maintenance, cleaning and warranty



**THE
ART
OF
SEATING**

AITANA SWIVEL CHAIR



01.

Monocoque plastic seat

7 mm thick injected polypropylene, 100% recyclable, with anti-UV treatment for outdoor use, reinforced with 30% fiber. Optional fireproof treatment (UNE 23727/90 / UNE 23721/90 / UNE 23724).

Optional: upholstery filled with 40 kg/m³ high density soft polyurethane foam (EN ISO 845 / BS 5852/10).

Optional: Interchangeable injected polyurethane PAD.

Monocoque wooden seat

12 mm thick beech plywood (MQ cert. 07-175), laminated in light or dark oak with acrylic varnish or lacquered in white or black.

Beech inner panel (MQ cert. 07-175) 6 mm thick with flexible high density polyurethane foam (hard) 40 kg/m³ (EN ISO 845 / BS 5852/10).

Monocoque upholstered seat

7 mm thick injected polypropylene, 100% recyclable, reinforced with 30% fiber, made from reused and recycled polypropylene. Optional fireproof treatment (UNE 23727/90 / UNE 23721/90 / UNE 23724). Upholstery filled with 25 kg/m³ high density soft polyurethane foam (EN ISO 845 / BS 5852/10).



01 / White
RAL 9003



02 / Black
RAL 9005



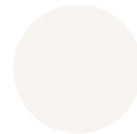
22 / Graphite
RAL 7024



28 / Sand
RAL 1019



32 / Blue
RAL 5014



01 / White



02 / Black



03 / Oak



19 / Beech



03.

Gas column, bases and wheels

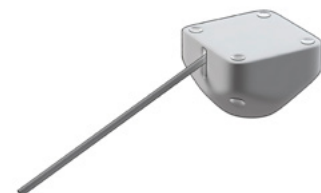
- Elevation using a class 4 black gas lift, tested for users weighing up to 150 kg.
- Polished aluminum base 64 cm diameter.
- Black nylon base of 64 cm diameter.
- Desmopan double rubberized 50 mm diameter wheels (LGA QualiTest certification) with black cover.
- The base connection bolt has a circular nylon ring to prevent noise when used on metal or aluminum bases.
- Optional: Anti-slip gliders in black nylon.



02.

Gas lift

The seat moves up and down by operating a lever on the bottom right of the seat.



AITANA CANTILEVER 4 RADIUS PYRAMIDAL BASE



01.

Monocoque plastic seat

7 mm thick injected polypropylene, 100% recyclable, with anti-UV treatment for outdoor use, reinforced with 30% fiber. Optional fireproof treatment (UNE 23727/90 / UNE 23721/90 / UNE 23724).

Optional: upholstery filled with 40 kg/m³ high density soft polyurethane foam (EN ISO 845 / BS 5852/10).

Optional: Interchangeable injected polyurethane PAD.



Monocoque wooden seat

12 mm thick beech plywood (MQ cert. 07-175), laminated in light or dark oak with acrylic varnish or lacquered in white or black.



Beech inner panel (MQ cert. 07-175) 6 mm thick with flexible high density polyurethane foam (hard) 40 kg/m³ (EN ISO 845 / BS 5852/10).



Monocoque upholstered seat

7 mm thick injected polypropylene, 100% recyclable, reinforced with 30% fiber, made from reused and recycled polypropylene. Optional fireproof treatment (UNE 23727/90 / UNE 23721/90 / UNE 23724). Upholstery filled with 25 kg/m³ high density soft polyurethane foam (EN ISO 845 / BS 5852/10).



01 / White
RAL 9003



02 / Black
RAL 9005



22 / Graphite
RAL 7024



28 / Sand
RAL 1019



32 / Blue
RAL 5014



01 / White



02 / Black



03 / Oak



19 / Beech



02.

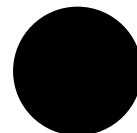
Swivel spring

- Swivel spring. Height not adjustable.

03.

Bases

4-radius pyramidal base, in black, graphite or white nylon, or aluminium base painted in black, graphite or white epoxy 67,5 cm diameter.



RAL 9005



RAL 7024



RAL 9003



04.

Pads/Wheels

Option A: Anti-slip pads in black, graphite or white nylon, depending on the base.

Option B: 50 mm diameter double nylon wheels.

AITANA 4-LEG CHAIR



01.

Monocoque plastic seat

7 mm thick injected polypropylene, 100% recyclable, with anti-UV treatment for outdoor use, reinforced with 30% fiber. Optional fireproof treatment (UNE 23727/90 / UNE 23721/90 / UNE 23724).

Optional: upholstery filled with 40 kg/m³ high density soft polyurethane foam (EN ISO 845 / BS 5852/10).

Optional: Interchangeable injected polyurethane PAD.

Monocoque wooden seat

12 mm thick beech plywood (MQ cert. 07-175), laminated in light or dark oak with acrylic varnish or lacquered in white or black.

Beech inner panel (MQ cert. 07-175) 6 mm thick with flexible high density polyurethane foam (hard) 40 kg/m³ (EN ISO 845 / BS 5852/10).

Monocoque upholstered seat

7 mm thick injected polypropylene, 100% recyclable, reinforced with 30% fiber, made from reused and recycled polypropylene. Optional fireproof treatment (UNE 23727/90 / UNE 23721/90 / UNE 23724). Upholstery filled with 25 kg/m³ high density soft polyurethane foam (EN ISO 845 / BS 5852/10).



01 / White
RAL 9003



02 / Black
RAL 9005



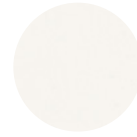
22 / Graphite
RAL 7024



28 / Sand
RAL 1019



32 / Blue
RAL 5014



01 / White



02 / Black



03 / Oak



19 / Beech

02.

Arms

Folded steel tube, 18 mm diameter and 1.5 mm thick, with the same finish as the base.



03.

Legs

Folded steel tube, 18 mm diameter and 1.5 mm thick, painted in epoxy white (RAL 9003), black (RAL 9005), graphite (RAL 7024), sand (RAL 1019), blue (RAL 5014) or grey (RAL 9006). Nylon anti-slip gliders.



White
RAL 9003



Black
RAL 9005



Graphite
RAL 7024



Sand
RAL 1019



Blue
RAL 5014



Grey
RAL 9006

Optional: 50 mm diameter double nylon wheels.



01.
Tablet
Folding writing tablet, with the same finish as the base and graphite phenolic top with black edge, 40 x 23.5 cm and 10 mm thick.
Optional phenolic paddle in white with black borders.

Equipped with a ball-and-socket joint that allows horizontal stacking without damaging the tablet, as well as the possibility of blocking the horizontal movement of the tablet with a screw. Stackable up to 6 units.



02.
Stacking trolley
Trolley for stacking and transporting up to 15 units.





01.

Monocoque plastic seat

7 mm thick injected polypropylene, 100% recyclable, with anti-UV treatment for outdoor use, reinforced with 30% fiber. Optional fireproof treatment (UNE 23727/90 / UNE 23721/90 / UNE 23724).

Optional: upholstery filled with 40 kg/m³ high density soft polyurethane foam (EN ISO 845 / BS 5852/10).

Optional: Interchangeable injected polyurethane PAD.

Monocoque wooden seat

12 mm thick beech plywood (MQ cert. 07-175), laminated in light or dark oak with acrylic varnish or lacquered in white or black.

Beech inner panel (MQ cert. 07-175) 6 mm thick with flexible high density polyurethane foam (hard) 40 kg/m³ (EN ISO 845 / BS 5852/10).

Monocoque upholstered seat

7 mm thick injected polypropylene, 100% recyclable, reinforced with 30% fiber, made from reused and recycled polypropylene. Optional fireproof treatment (UNE 23727/90 / UNE 23721/90 / UNE 23724). Upholstery filled with 25 kg/m³ high density soft polyurethane foam (EN ISO 845 / BS 5852/10).



01 / White
RAL 9003



02 / Black
RAL 9005



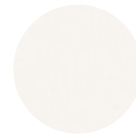
22 / Graphite
RAL 7024



28 / Sand
RAL 1019



32 / Blue
RAL 5014



01 / White



02 / Black



03 / Oak



19 / Beech

02.

Structure

12 mm diameter round solid steel rod with white (RAL 9010), black (RAL 9005), graphite (RAL 7024), sand (RAL 1019), blue (RAL 5014) or grey (RAL 9006) epoxy paint. Nylon anti-slip tops.



White
RAL 9003



Black
RAL 9005



Graphite
RAL 7024



Sand
RAL 1019



Blue
RAL 5014



Grey
RAL 9006





THE
ART
OF
SEATING

AITANA CANTILEVER 4 RADIUS FIXED WOODEN PYRAMIDAL



01.

Monocoque plastic seat

7 mm thick injected polypropylene, 100% recyclable, with anti-UV treatment for outdoor use, reinforced with 30% fiber. Optional fireproof treatment (UNE 23727/90 / UNE 23721/90 / UNE 23724).

Optional: upholstery filled with 40 kg/m³ high density soft polyurethane foam (EN ISO 845 / BS 5852/10).

Optional: Interchangeable injected polyurethane PAD.

Monocoque wooden seat

12 mm thick beech plywood (MQ cert. 07-175), laminated in light or dark oak with acrylic varnish or lacquered in white or black.

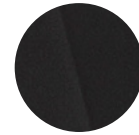
Beech inner panel (MQ cert. 07-175) 6 mm thick with flexible high density polyurethane foam (hard) 40 kg/m³ (EN ISO 845 / BS 5852/10).

Monocoque upholstered seat

7 mm thick injected polypropylene, 100% recyclable, reinforced with 30% fiber, made from reused and recycled polypropylene. Optional fireproof treatment (UNE 23727/90 / UNE 23721/90 / UNE 23724). Upholstery filled with 25 kg/m³ high density soft polyurethane foam (EN ISO 845 / BS 5852/10).



01 / White
RAL 9003



02 / Black
RAL 9005



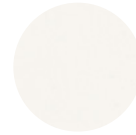
22 / Graphite
RAL 7024



28 / Sand
RAL 1019



32 / Blue
RAL 5014



01 / White



02 / Black



03 / Oak



19 / Beech

02.

Structure

4-branch base in light or dark oak, acrylic varnished, diameter 4.2 cm.



03 / Oak



19 / Beech





01.

Monocoque plastic seat

7 mm thick injected polypropylene, 100% recyclable, with anti-UV treatment for outdoor use, reinforced with 30% fiber. Optional fireproof treatment (UNE 23727/90 / UNE 23721/90 / UNE 23724).

Optional: upholstery filled with 40 kg/m³ high density soft polyurethane foam (EN ISO 845 / BS 5852/10).

Optional: Interchangeable injected polyurethane PAD.

Monocoque wooden seat

12 mm thick beech plywood (MQ cert. 07-175), laminated in light or dark oak with acrylic varnish or lacquered in white or black.

Beech inner panel (MQ cert. 07-175) 6 mm thick with flexible high density polyurethane foam (hard) 40 kg/m³ (EN ISO 845 / BS 5852/10).

Monocoque upholstered seat

7 mm thick injected polypropylene, 100% recyclable, reinforced with 30% fiber, made from reused and recycled polypropylene. Optional fireproof treatment (UNE 23727/90 / UNE 23721/90 / UNE 23724). Upholstery filled with 25 kg/m³ high density soft polyurethane foam (EN ISO 845 / BS 5852/10).

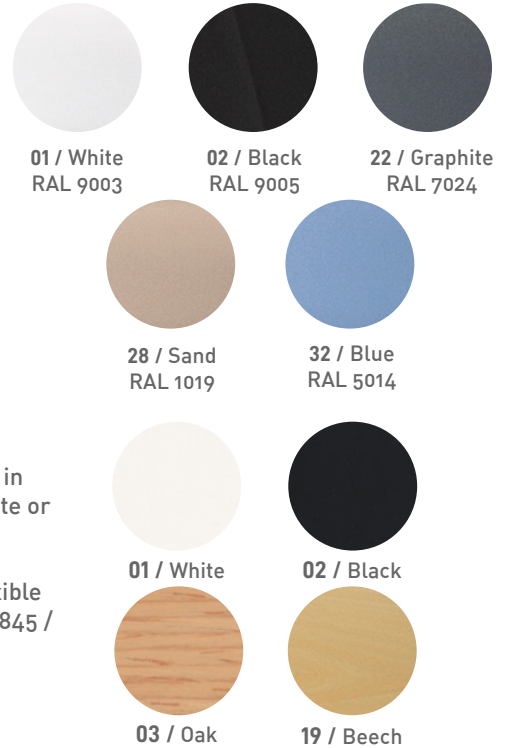
Upholstered shell stool

12 mm thick beech plywood (MQ cert. 07-175). Upholstery filled with 25 kg/m³ high density soft polyurethane foam (EN ISO 845 / BS 5852/10).

02.

Structure

Folded steel tube, 18 mm diameter and 1.5 mm thick, painted in epoxy white (RAL 9003), black (RAL 9005), graphite (RAL 7024), sand (RAL 1019), blue (RAL 5014) or grey (RAL 9006). Nylon anti-slip gliders.



White
RAL 9003



Black
RAL 9005



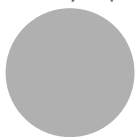
Graphite
RAL 7024



Sand
RAL 1019



Blue
RAL 5014



Grey
RAL 9006



01.

Monocoque plastic seat

7 mm thick injected polypropylene, 100% recyclable, with anti-UV treatment for outdoor use, reinforced with 30% fiber. Optional fireproof treatment (UNE 23727/90 / UNE 23721/90 / UNE 23724).

Optional: upholstery filled with 40 kg/m³ high density soft polyurethane foam (EN ISO 845 / BS 5852/10).

Optional: Interchangeable injected polyurethane PAD.

Monocoque wooden seat

12 mm thick beech plywood (MQ cert. 07-175), laminated in light or dark oak with acrylic varnish or lacquered in white or black.

Beech inner panel (MQ cert. 07-175) 6 mm thick with flexible high density polyurethane foam (hard) 40 kg/m³ (EN ISO 845 / BS 5852/10).

Monocoque upholstered seat

7 mm thick injected polypropylene, 100% recyclable, reinforced with 30% fiber, made from reused and recycled polypropylene. Optional fireproof treatment (UNE 23727/90 / UNE 23721/90 / UNE 23724). Upholstery filled with 25 kg/m³ high density soft polyurethane foam (EN ISO 845 / BS 5852/10).

Upholstered shell stool

12 mm thick beech plywood (MQ cert. 07-175). Upholstery filled with 25 kg/m³ high density soft polyurethane foam (EN ISO 845 / BS 5852/10).

02.

Structure

4-branch base in light or dark oak, acrylic varnished, diameter 4.2 cm. 18 mm diameter, 1.5 mm thick tubular steel footrest, painted in black epoxy (RAL 9005).



01 / White
RAL 9003



02 / Black
RAL 9005



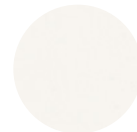
22 / Graphite
RAL 7024



28 / Sand
RAL 1019



32 / Blue
RAL 5014



01 / White



02 / Black



03 / Oak



19 / Beech



03 / Oak



19 / Beech

DILE THE ART OF SEATING

AITANA BENCH



01.

Monocoque plastic seat
7 mm thick injected polypropylene, 100% recyclable, with anti-UV treatment for outdoor use, reinforced with 30% fiber. Optional fireproof treatment (UNE 23727/90 / UNE 23721/90 / UNE 23724).

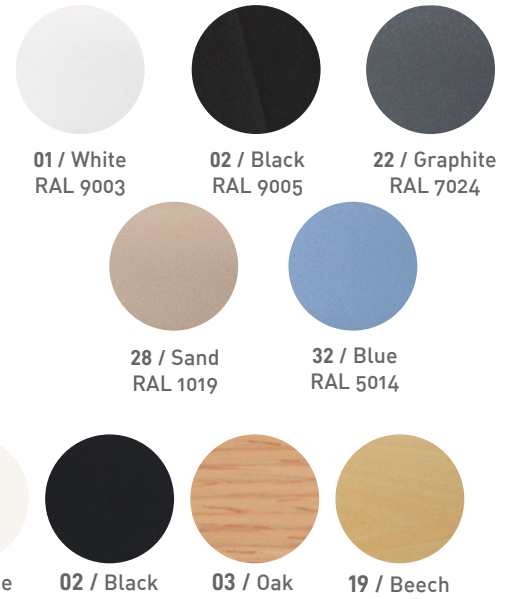
Optional: upholstery filled with 40 kg/m³ high density soft polyurethane foam (EN ISO 845 / BS 5852/10).

Optional: Interchangeable injected polyurethane PAD.

Monocoque wooden seat
12 mm thick beech plywood (MQ cert. 07-175), laminated in light or dark oak with acrylic varnish or lacquered in white or black.

Beech inner panel (MQ cert. 07-175) 6 mm thick with flexible high density polyurethane foam (hard) 40 kg/m³ (EN ISO 845 / BS 5852/10).

Monocoque upholstered seat
7 mm thick injected polypropylene, 100% recyclable, reinforced with 30% fiber, made from reused and recycled polypropylene. Optional fireproof treatment (UNE 23727/90 / UNE 23721/90 / UNE 23724). Upholstery filled with 25 kg/m³ high density soft polyurethane foam (EN ISO 845 / BS 5852/10).



02.

Structure

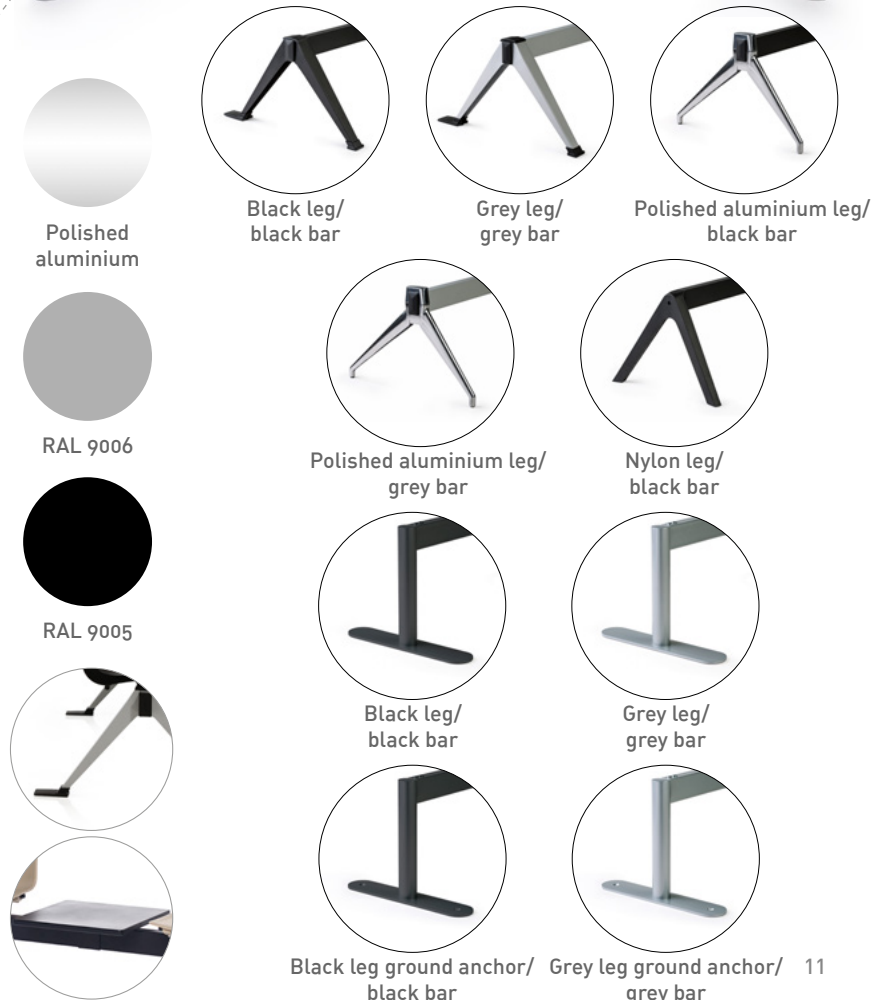
Available in 2, 3, 4 or 5 seats. For benches with three or more seats, it is possible to replace one of the seats with a side table in phenolic graphite cardboard with black edge, 40 x 40 cm and 10 mm thick. For other finishes, consult quantities.

V-bench:

In tubular steel with black epoxy paint (RAL 9005), in epoxy grey aluminium (RAL 9006) (ISO 2360 / ISO 2409 / ASTM D 2794 / ISO 9227 / ISO 6270), in polished aluminium or black nylon. Central tube 80 x 40 mm and 3 mm thick. Inverted V-feet. Graphite PVC prevents contact with the wall.

T-bench:

In tubular steel with black epoxy paint (RAL 9005) or epoxy grey aluminium (RAL 9006) (ISO 2360 / ISO 2409 / ASTM D 2794 / ISO 9227 / ISO 6270). Central tube 80 x 40 mm and 5 mm thick. Inverted T-feet 500 x 100 mm and 10 mm thick with the possibility of floor anchorage.



01.

USB Charger

An accessory for all of those who live the busy rhythm of the day and need to recharge their devices comfortably while they are sitting and waiting. Its cylindrical design allows it to be easily differentiated from the rectangular section beam to which it is attached. It has two USB inputs for charging mobile devices.



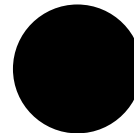
02.

Connection kit for T-bench

This accessory allows two or more benches to be connected with a T-leg. It makes it possible to create benches of any size, without limit. Available in black epoxy paint (RAL 9005) or aluminium grey epoxy paint (RAL 9006) (ISO 2360 / ISO 2409 / ASTM D 2794 / ISO 9227 / ISO 6270).



RAL 9006



RAL 9005



03.

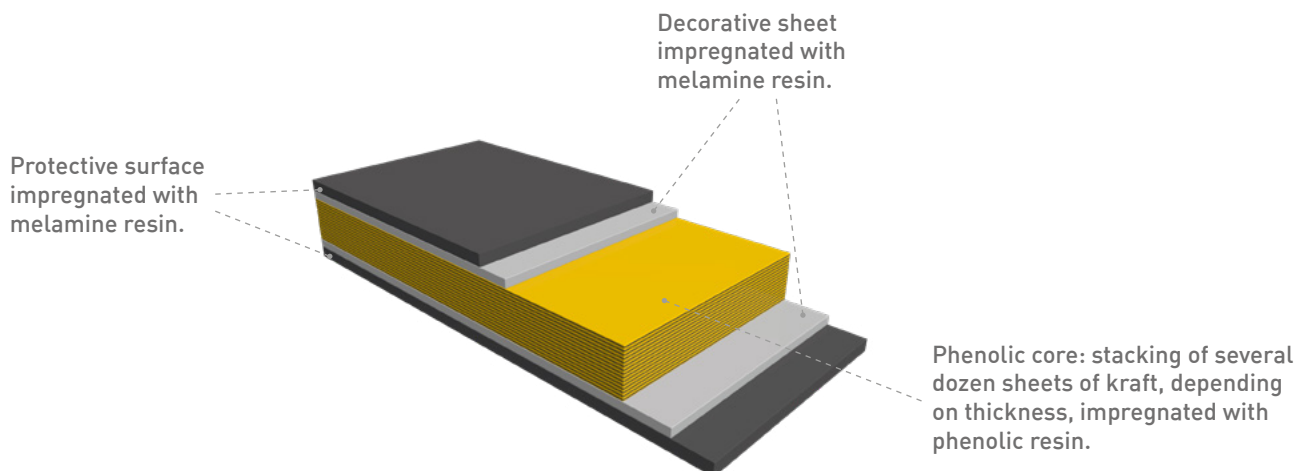
Phenolic (bench table/writing table)

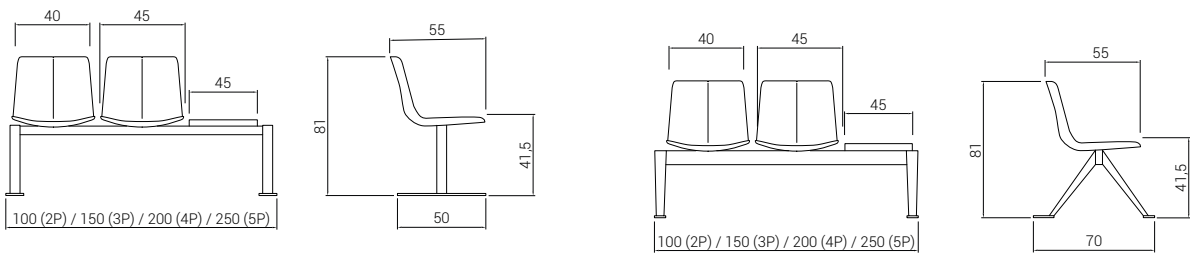
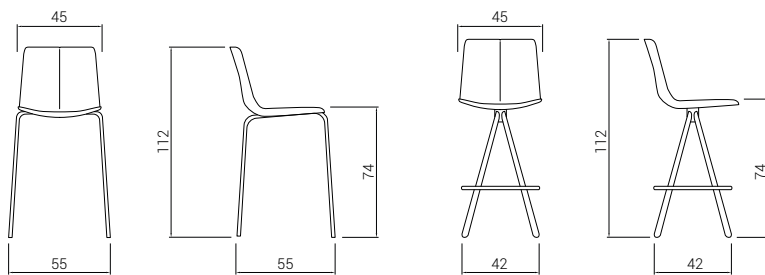
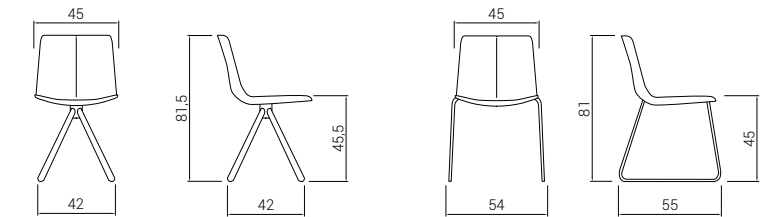
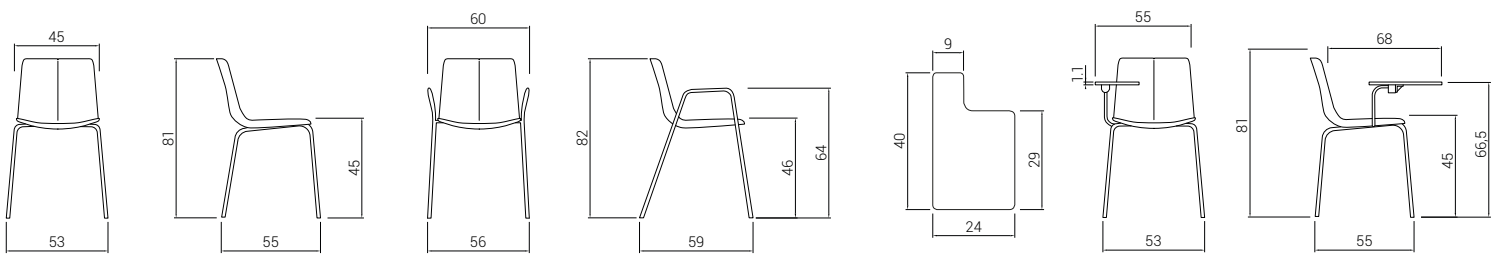
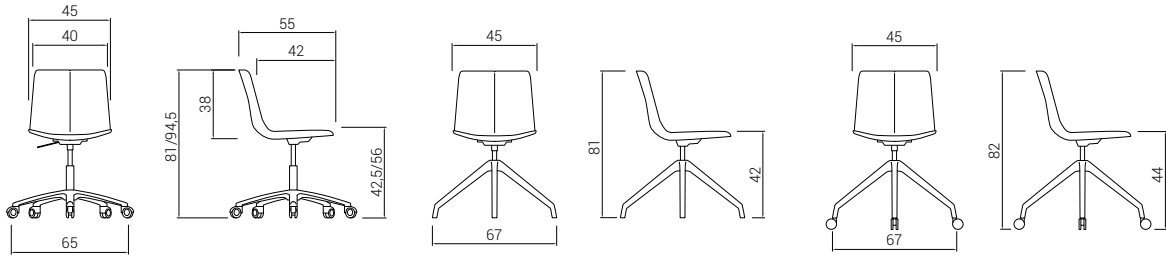
Characteristics of phenolic :

- Resistance to scratches.
- Resistance to heat.
- Easy to clean.
- Resistance to chemicals and domestic products.
- Resistance to cracks.
- Impact resistance.
- Resistance to abrasion
- Food hygiene.
- Resistance of colours to artificial light.

Phenolic test :

- ISO 4586 Thickness / Water resistance of decorative papers / Water absorption / Dimensional stability at high temperature / Vapour resistance.
- ISO 1183 Density.
- DIN 52612 Thermal conductivity.
- ASTM D 785 Hardness Rockuler.
- ISO 178 Resistance to flexion / Modulus of elasticity.
- ASTM D 256 Impact resistance.
- ASTM D 732 Shear strength.
- ISO 604 Compressive strength.





AITANA SUSTAINABLE



98%

RECYCLABLE

- 65% Metal
- 6% Polypropylene
- 2% Other plastic materials
- 22% Wood
- 5% Others

MONOCOQUE PLASTIC SEAT
In polypropylene
Optional: In wood or upholstered



LEGS
Folded steel tube painted epoxy

SWIVEL 5 RADIUS
Polished aluminium base



SWIVEL 4 RADIUS
Nylon base

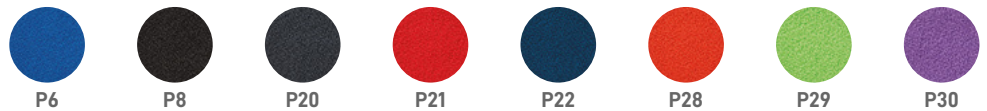


STOOL
Steel frame rod



- ✓ 100% recyclable cardboard packaging, made from 90% recycled materials.
- ✓ Dileoffice is certified according to ISO 9001:2015, 14001:2015 and 14006:2020. All phases of the production process, from the receipt of components to the delivery of the finished product, are meticulously managed to minimise the impact on the environment.
- ✓ Dileoffice chairs are assessed by AIDIMEE to certify the compliance of each product with UNE EN standards.
- ✓ If it is necessary to replace the entire chair or any of its parts, the end customer will be informed of the recycling management of each element according to the composition of the materials.
- ✓ Transport is carried out by scheduled routes, giving priority to fuel savings. We use our own transport trucks, always trying to use the maximum volume, and minimising the volume in the packaging.
- ✓ The recyclability percentage is obtained from an average of the elements that compose the analyzed family.

01
BALI (G01)



02
POLYESTER (G01)



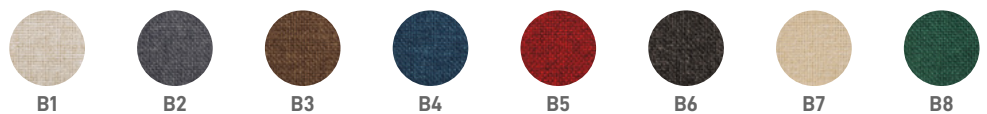
03
GOYA (G01)



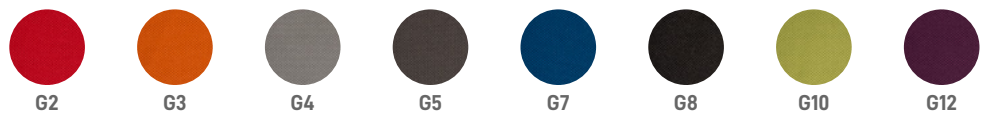
04
TOUCH LEATHER (G01)



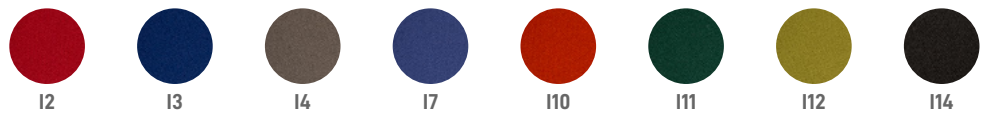
05
COMBI (G01)



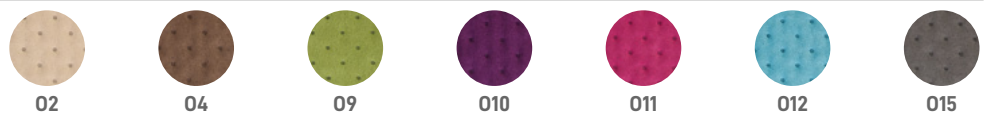
06
OCEAN (G02)



07
ELASTIKA FR (G02)



08
ORUGA (G02)



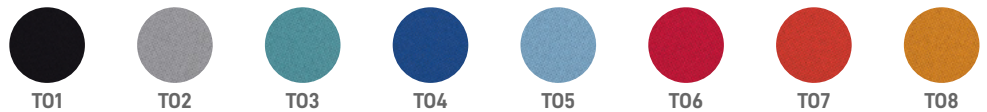
09
NILO (G02)



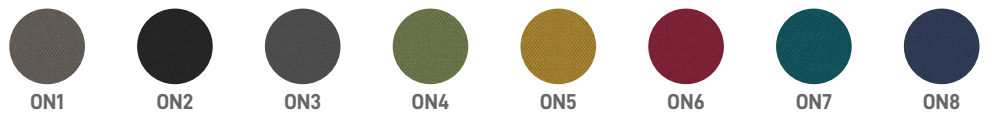
10
MADISON (G02)



11
TONAL (G02)



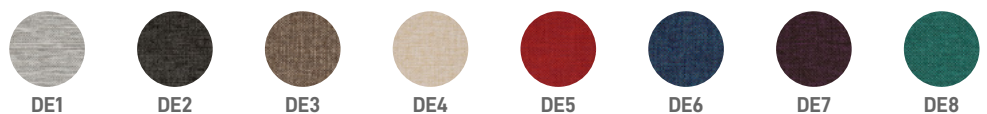
12
ONE (G02)



13
VALENCIA (G03)



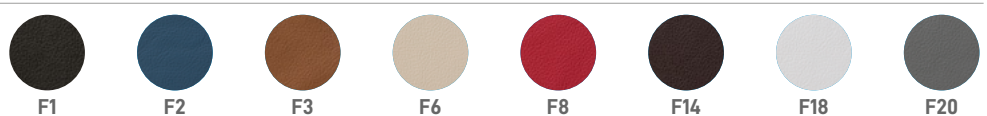
14
DEKORA (G03)



15
FELICITY (G03)



16
LEATHER (G04)



01. Writing tablet



In the position of use, the writing tablet rotates 90° vertically and 180° horizontally.



For vertical stacking, the paddle must be placed vertically.



The paddle pivot is equipped with an Allen screw, no. 4, which allows the pad to be fixed in any position within the 180° range.

5x



1x



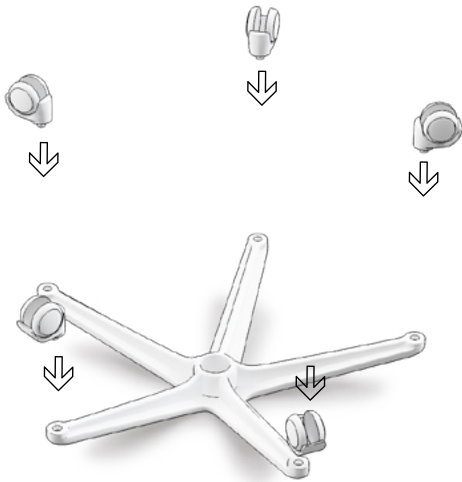
1x



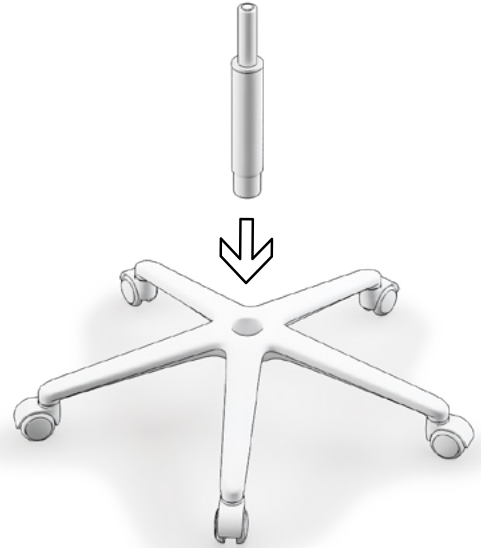
1x



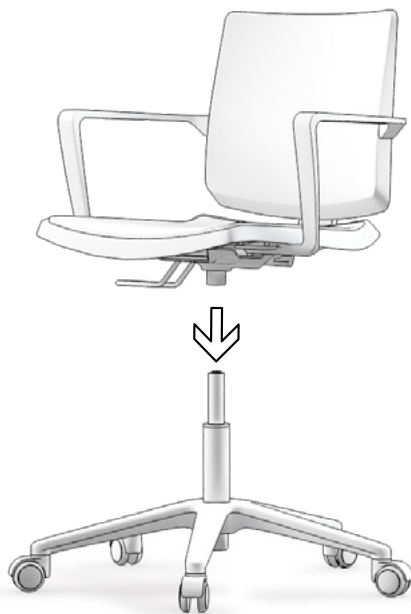
1.

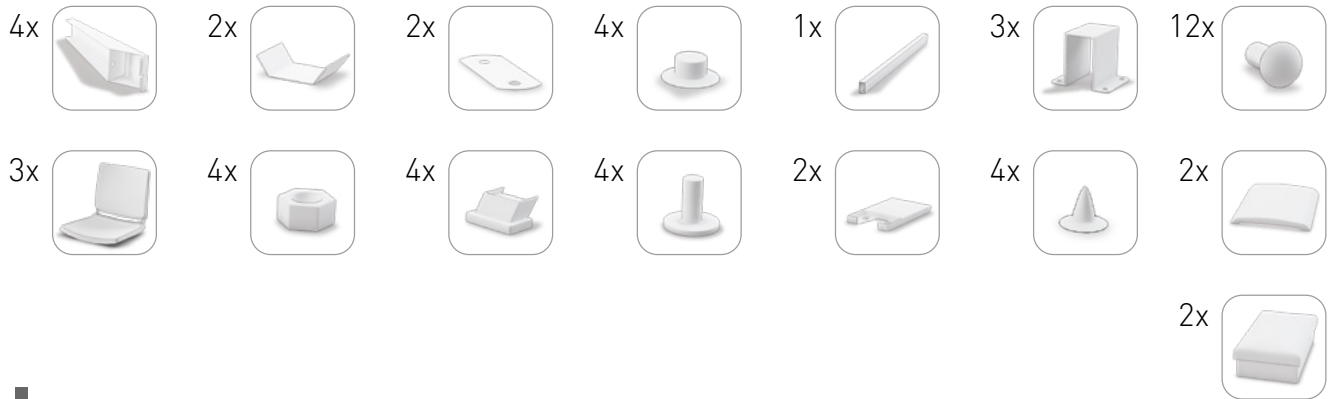


2.

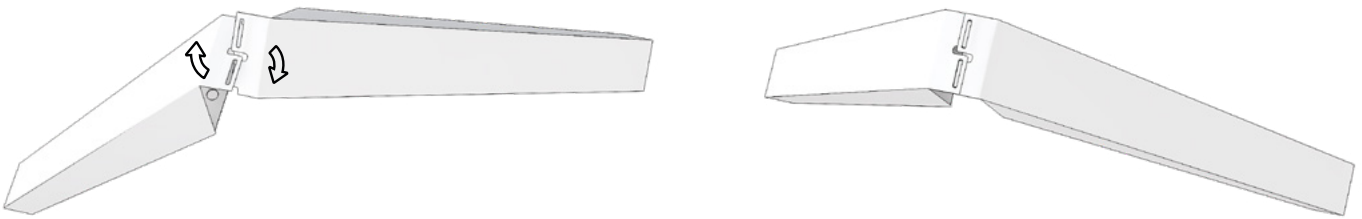


3.

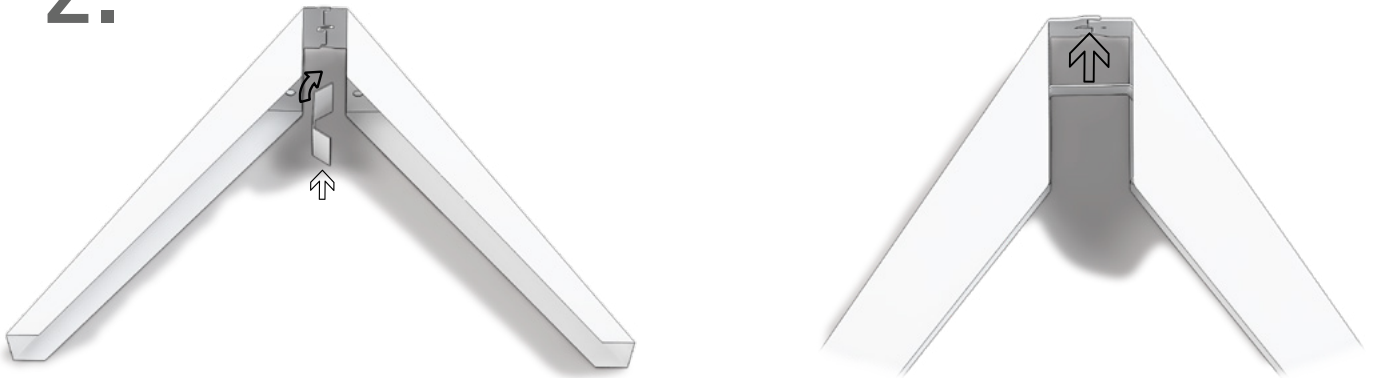




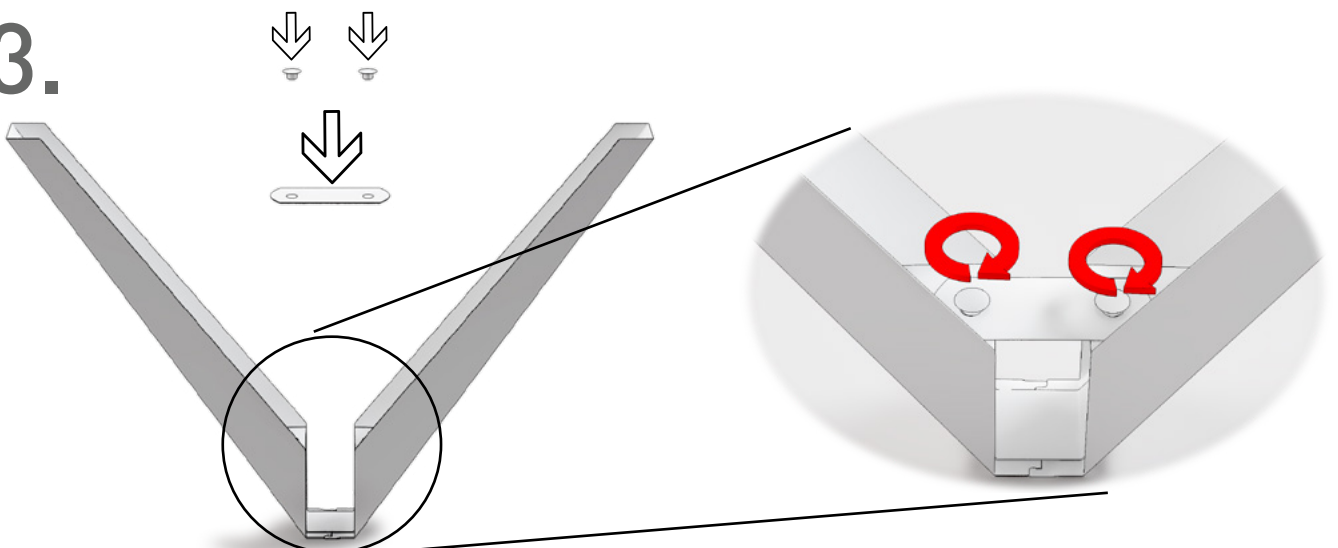
1.

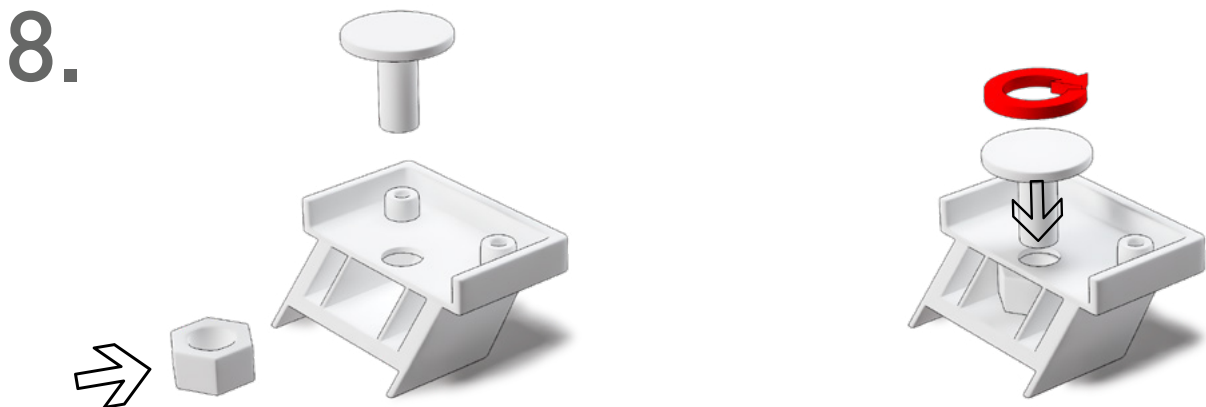
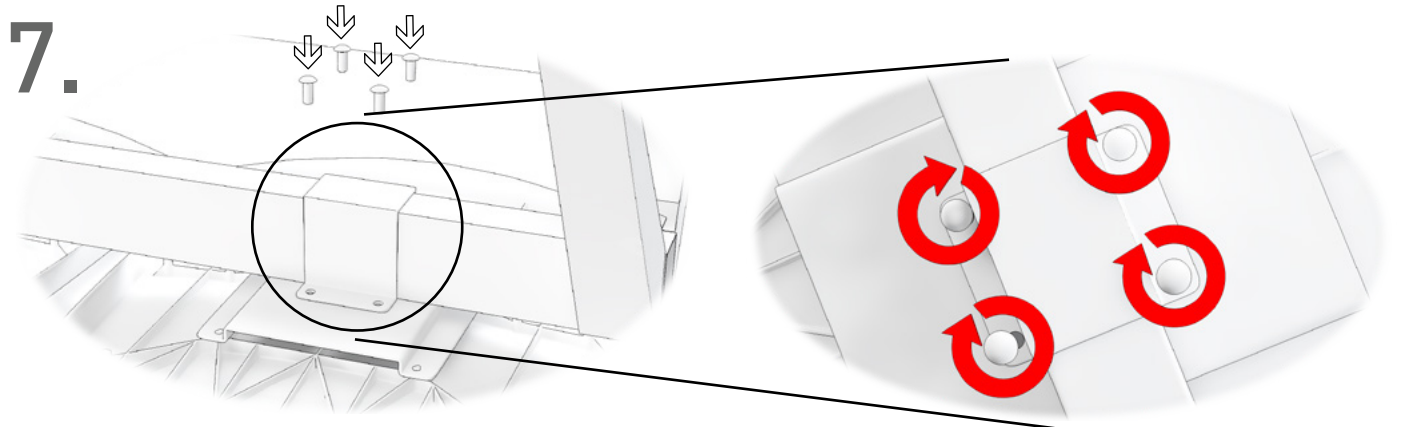
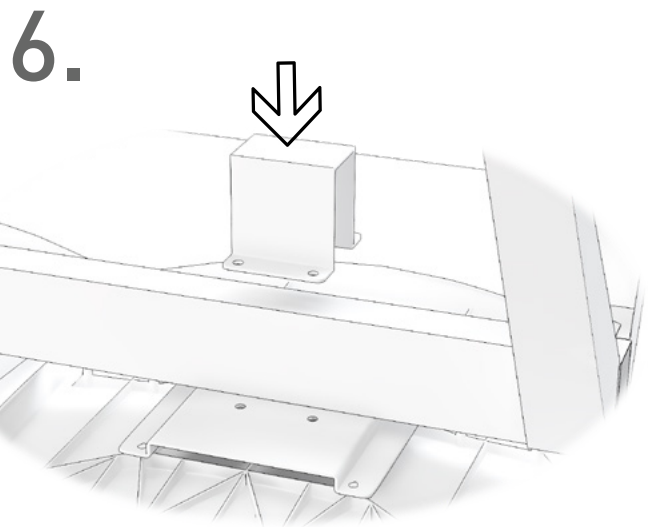
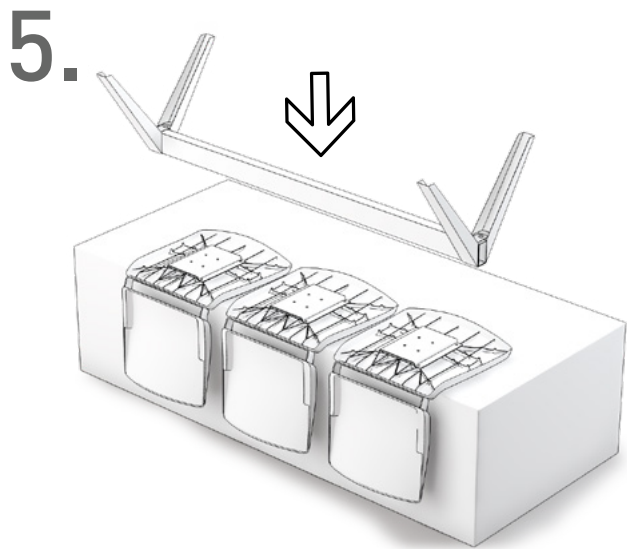
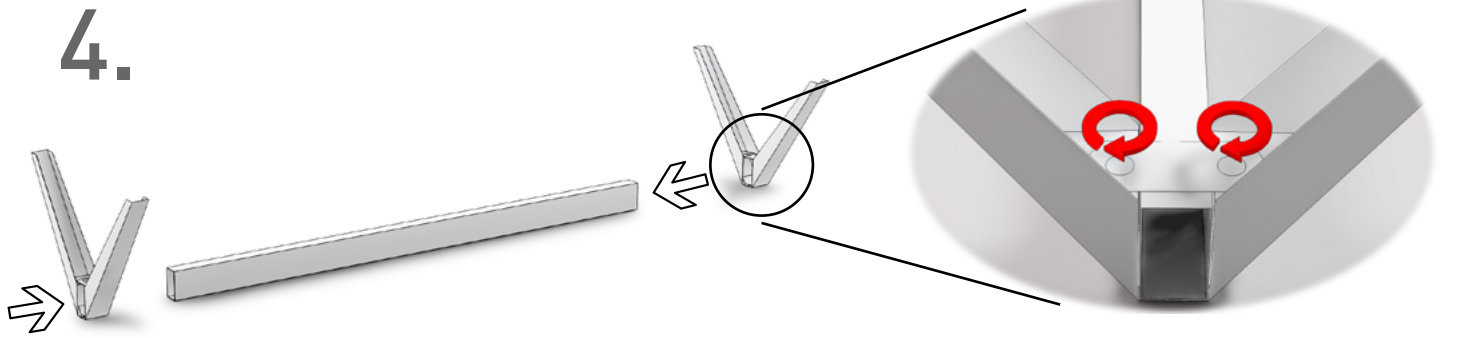


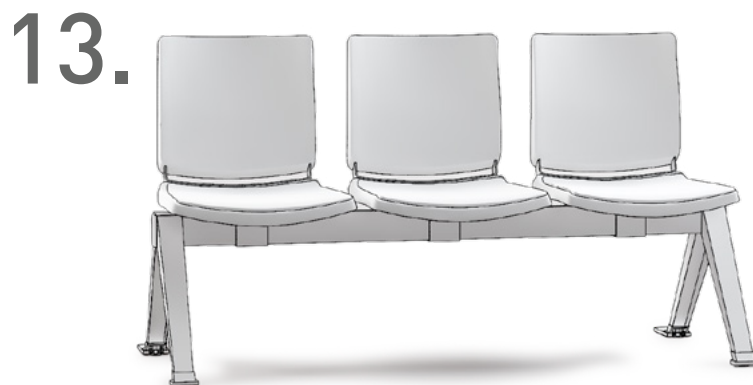
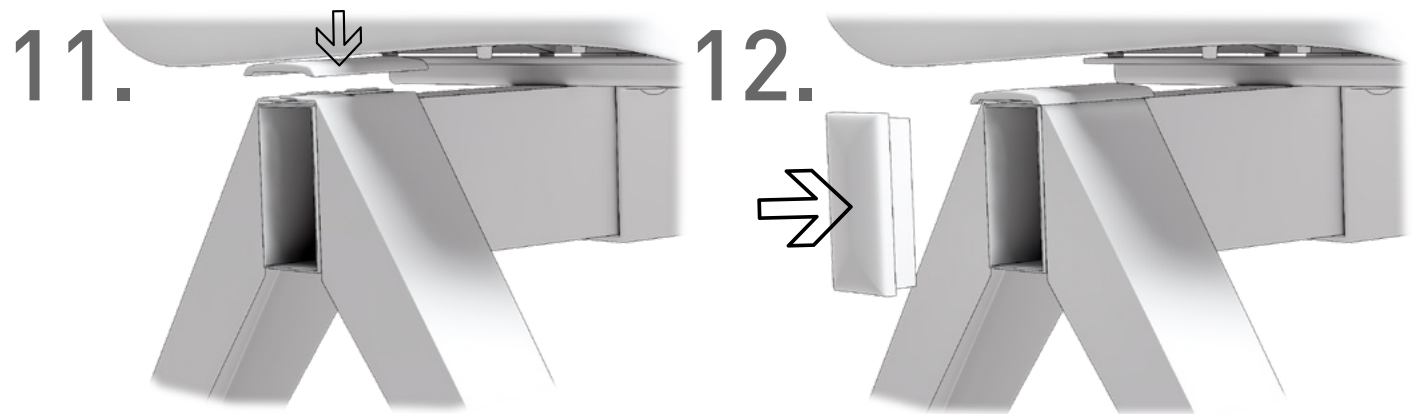
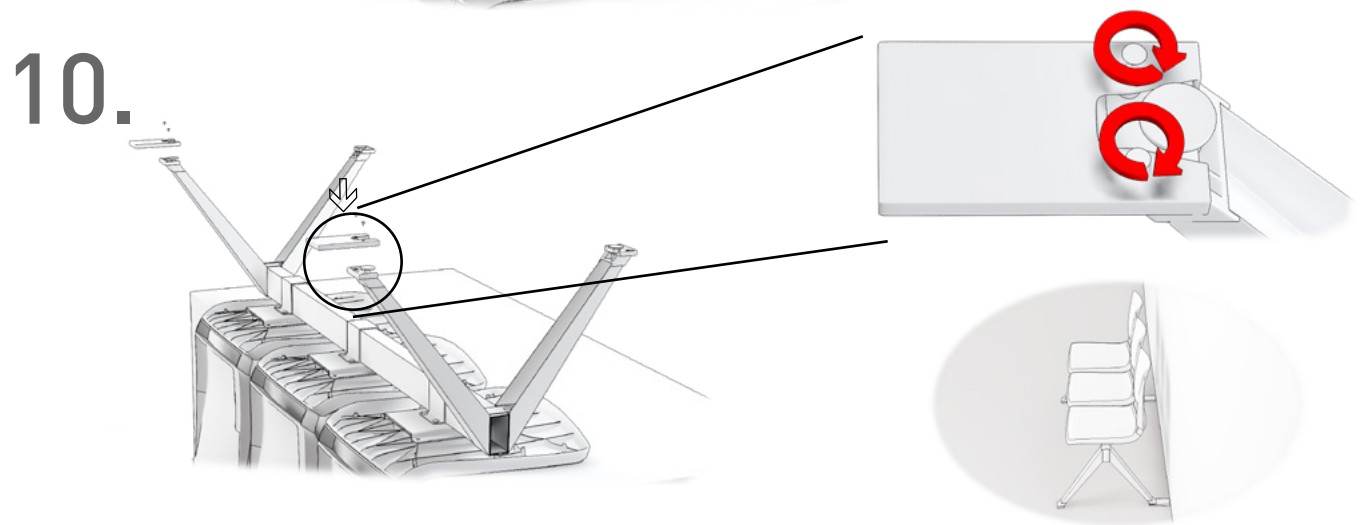
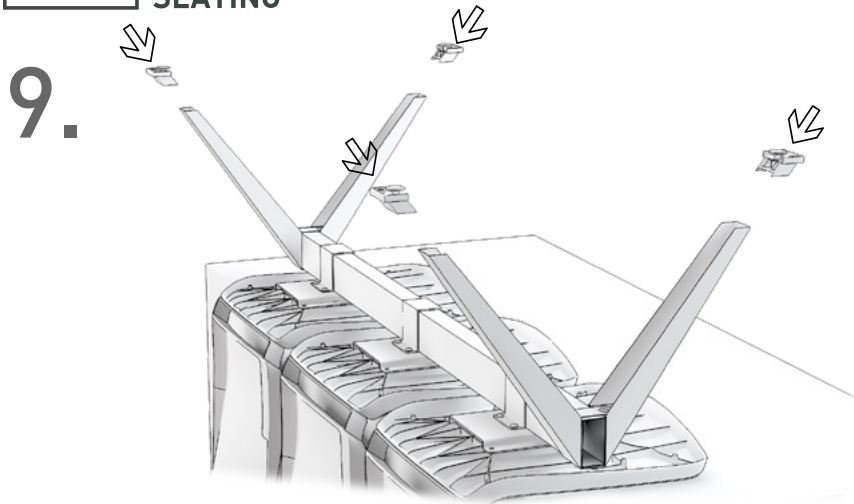
2.

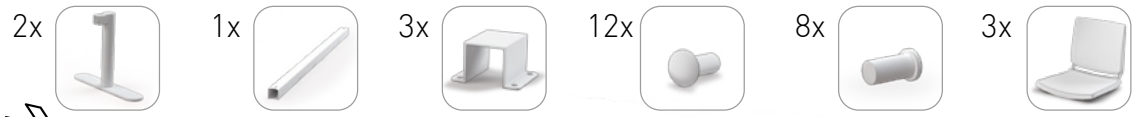


3.





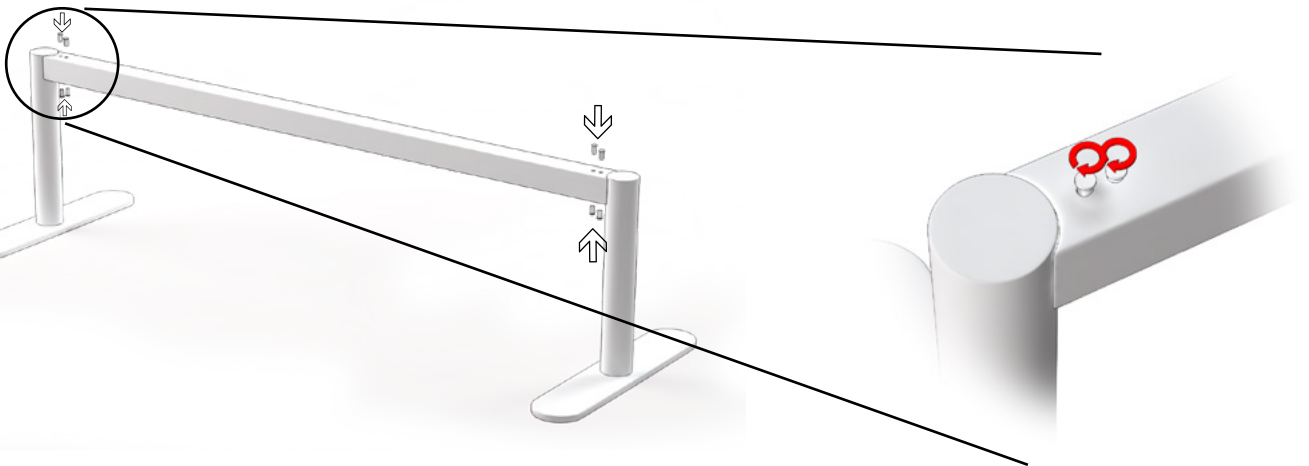




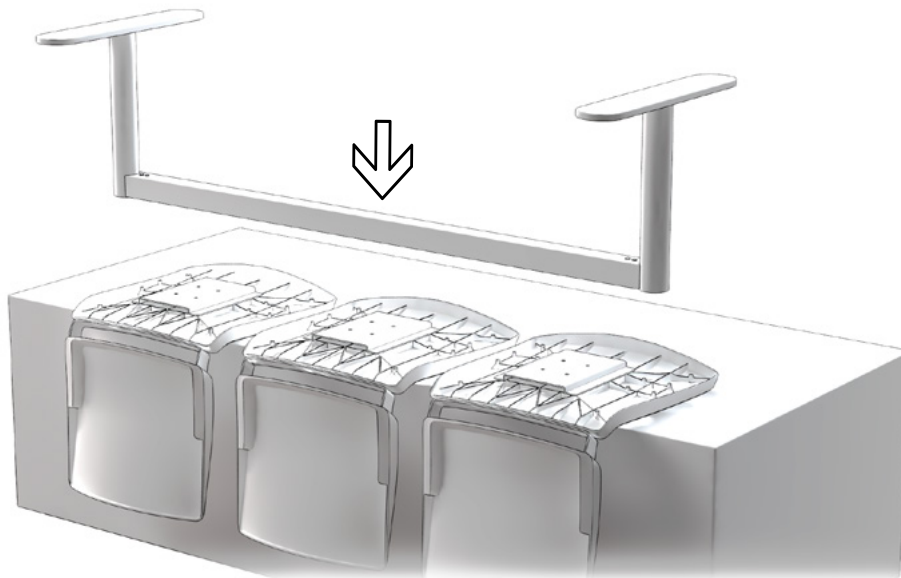
1.



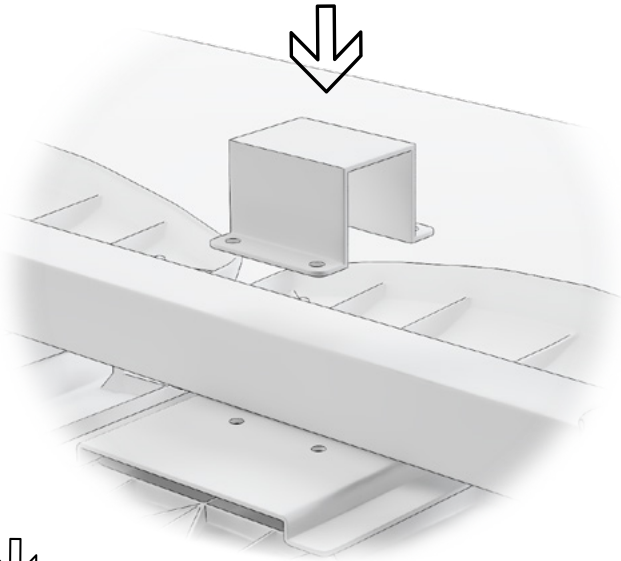
2.



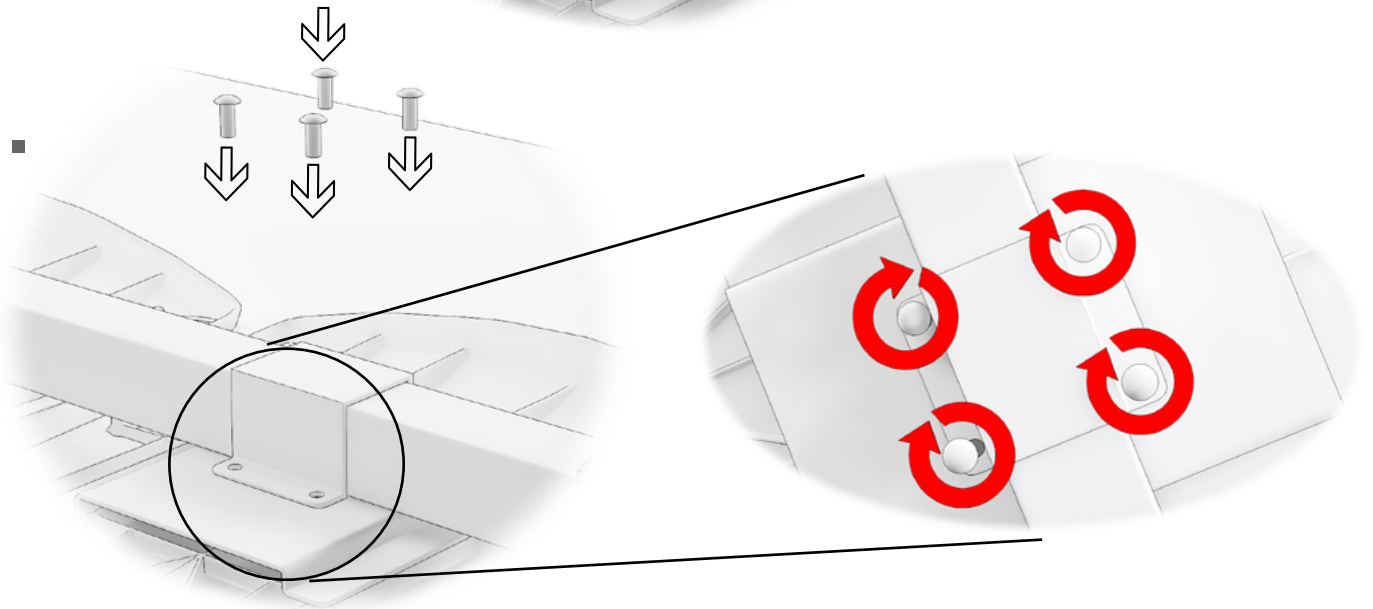
3.



4.

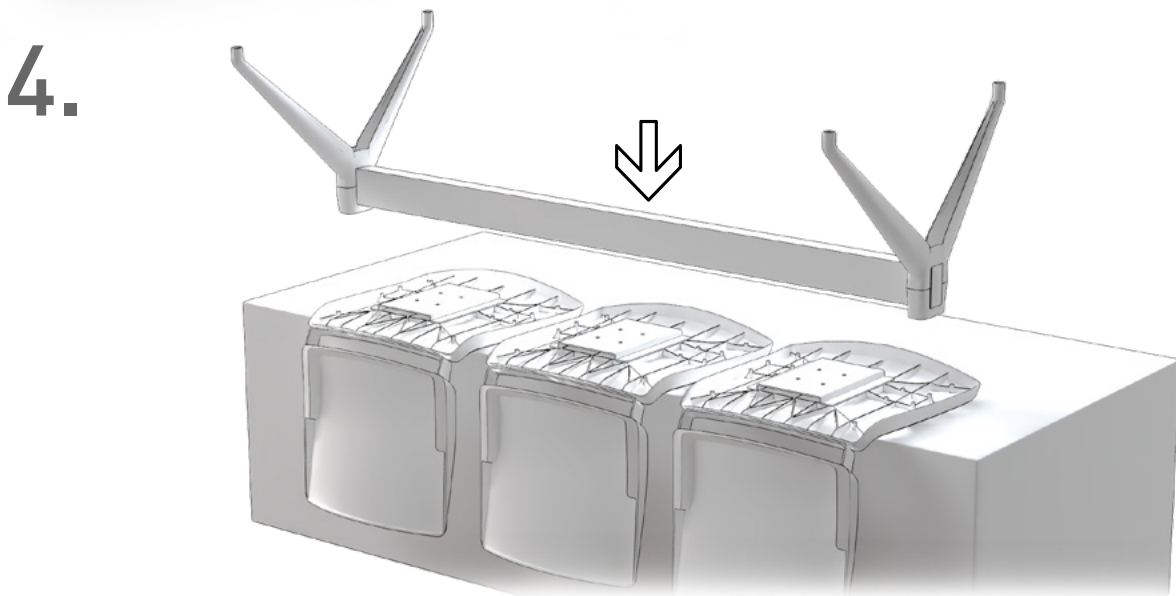
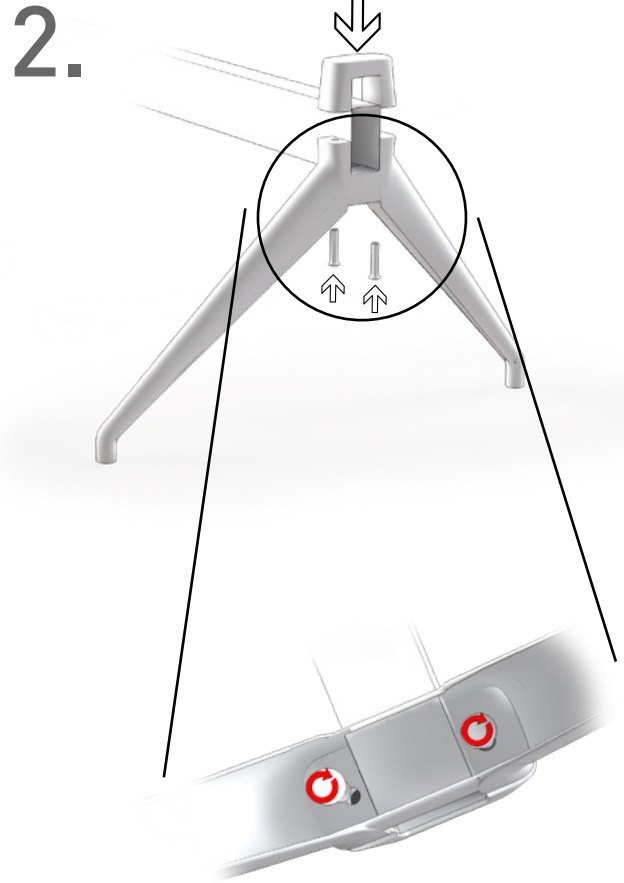
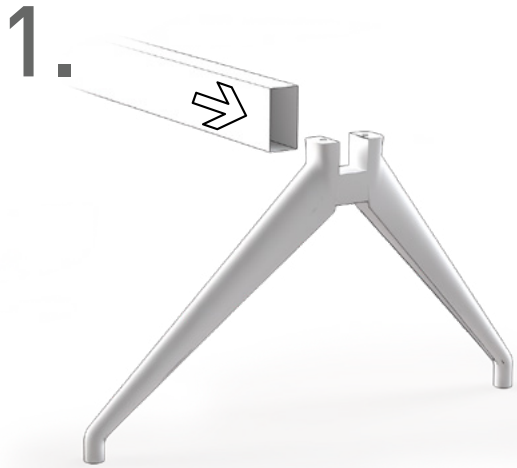


5.

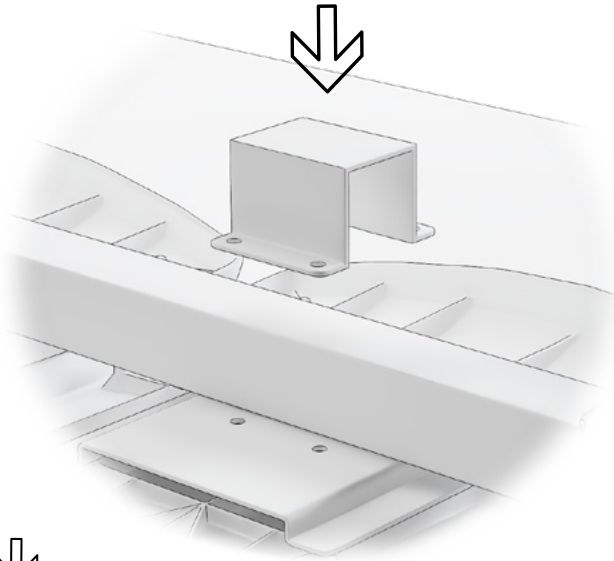


6.

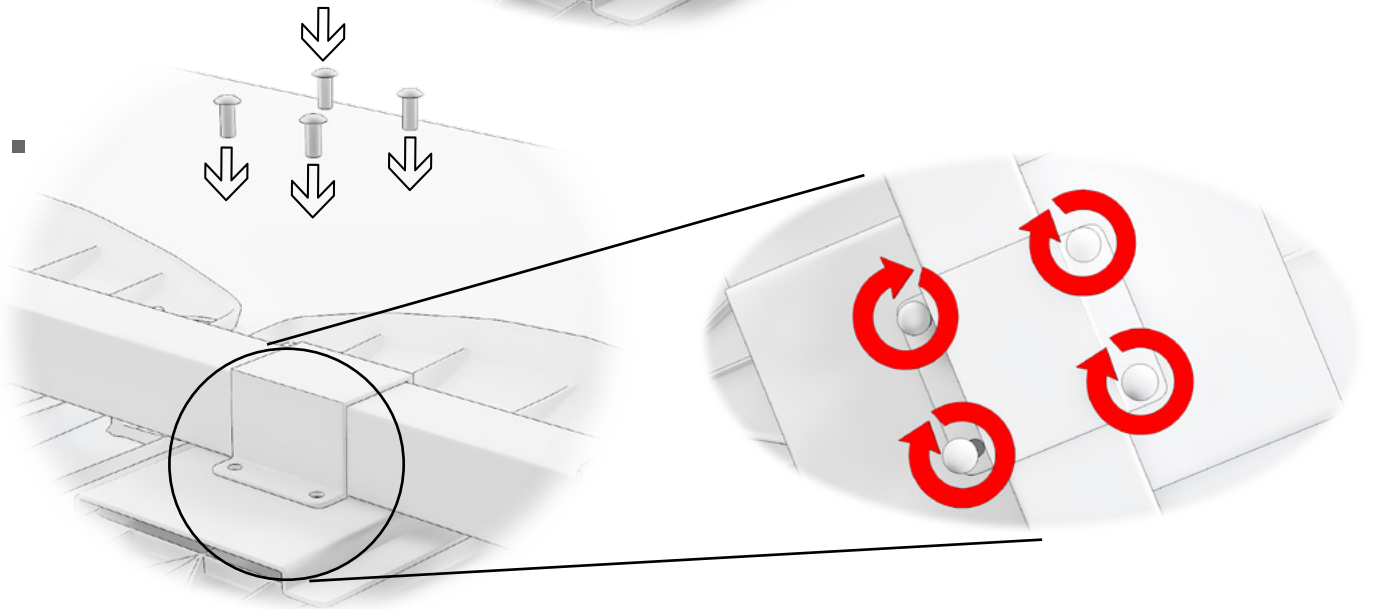




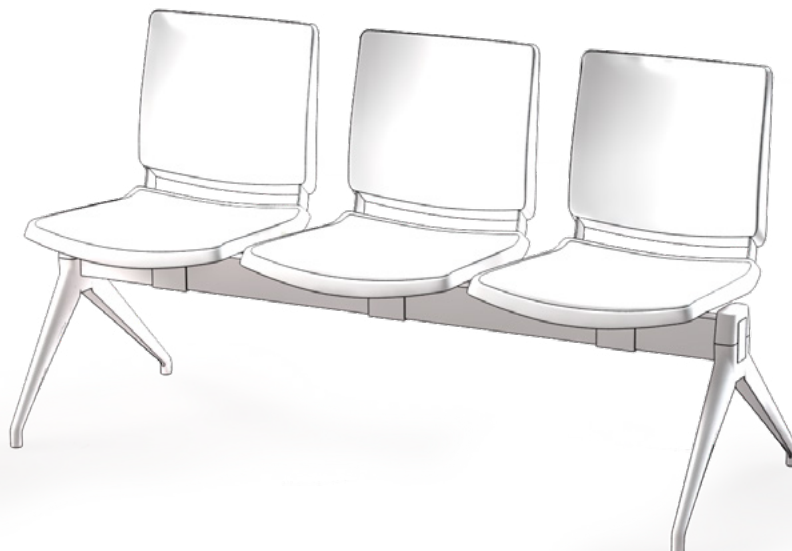
5.

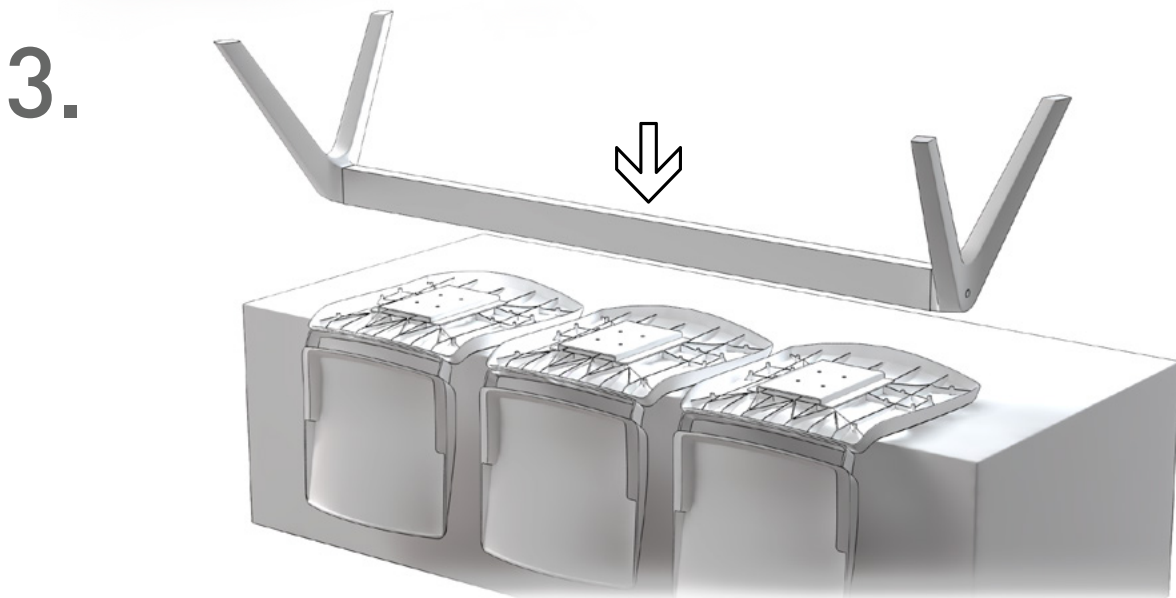
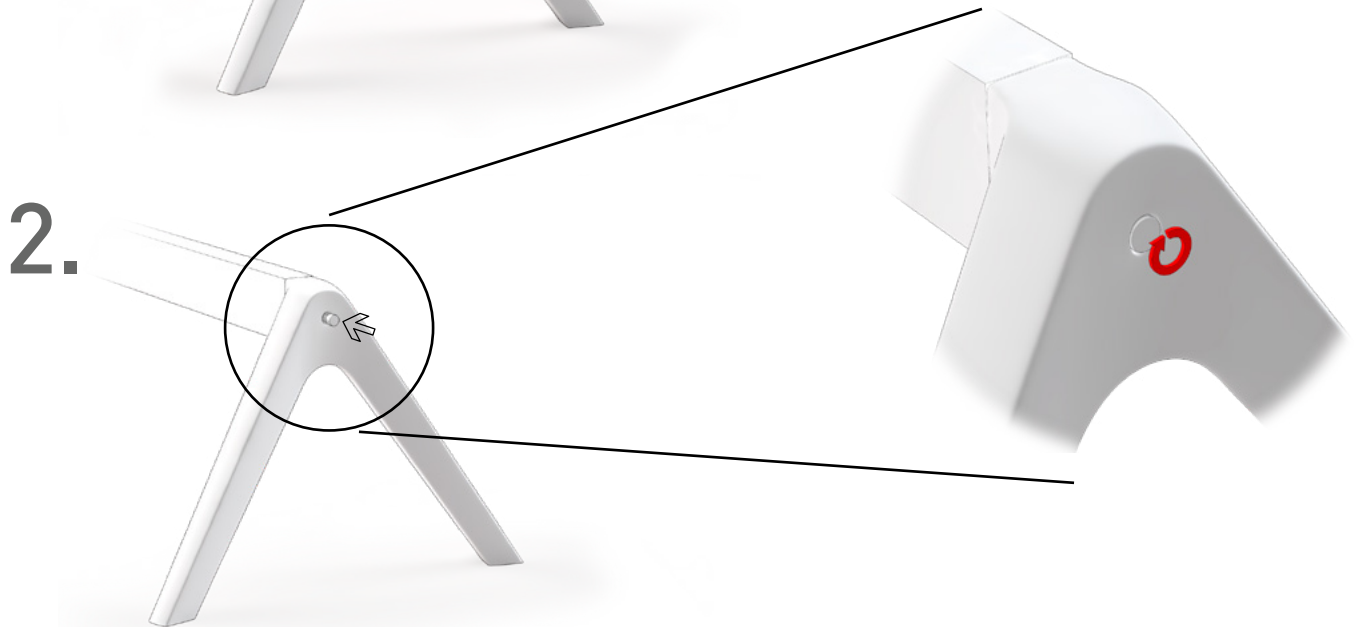


6.

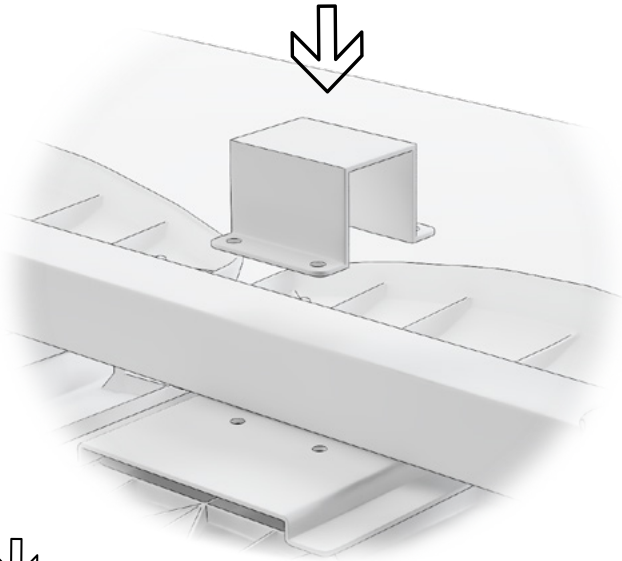


7.

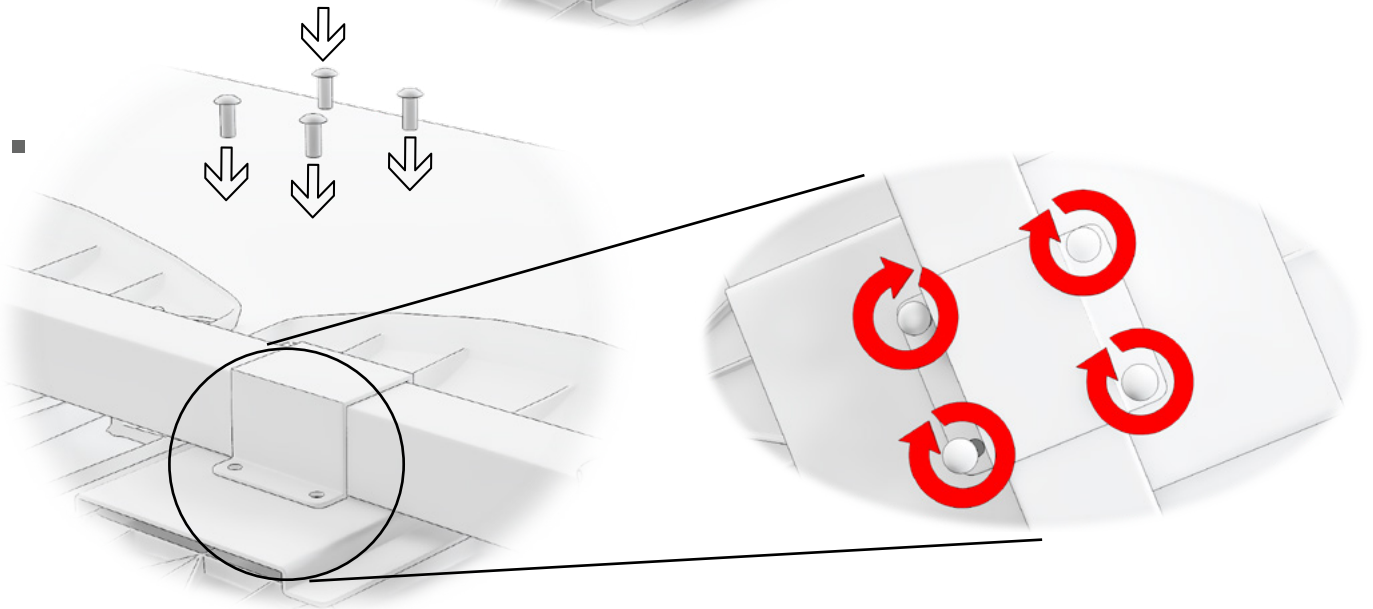




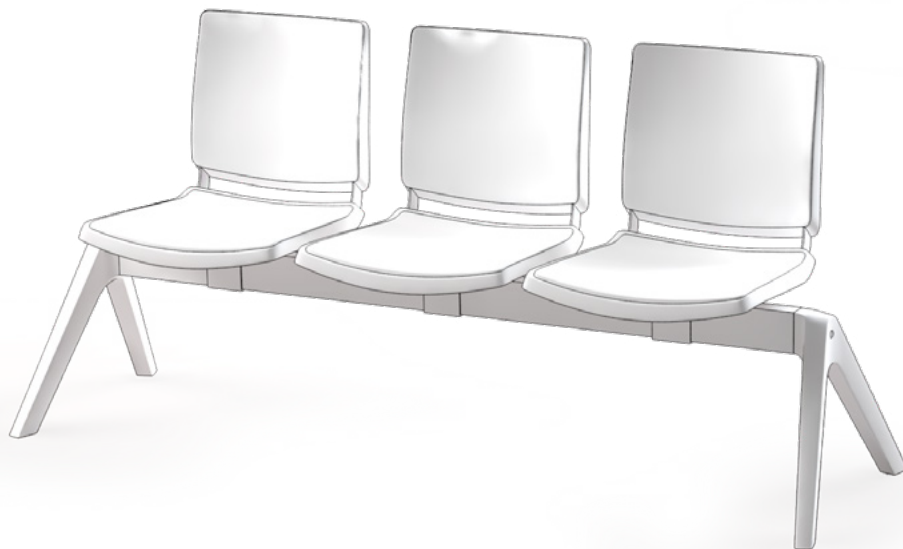
4.



5.



6.



CERTIFICATES

DILE has ISO 9001 quality certificates, which establish the requirements that a company must fulfil in order to implement an adequate quality management system in its production system, ISO 14001, which implies a commitment to and sustainable management with the environment, and ISO 14006, which is a certifiable guarantee that an organisation identifies, controls and minimises the environmental impact of its products and/or services in all phases of its life cycle, including the project and design phase.

Aidimme is the Technological Institute for the processing of metals, furniture, wood, packaging and related products. It is Aidimme that tests our chairs and issues certificates accrediting their ergonomics, durability and resistance.

Aitana has the UNE EN 16139:2013 certificate.

FAMO is the Association of Manufacturers of Furniture and General Equipment for Offices and Communities. Since 1986, it has represented and defended the interests of companies in the office and community furniture sector, promoting their image and presence in international markets. DILE has been a member of the FAMO since 2008.



MAINTENANCE AND CLEANING

01. FABRIC

Articles upholstered with these fabrics (BALI, POLIESTER, GOYA, COMBI, MADISON, OCEAN, ELASTIKA FR, ORUGA, TONAL AND DEKORA):

- Frequent vacuuming or dry cleaning.
- Normal cleaning with a cloth slightly humidified with warm water and if the stain requires it, add a little neutral soap (ph 5.5), rinse and leave to dry in open air (avoid the sun).
- Do not use bleaching agents, abrasive products, cleaning waxes or ordinary domestic cleaning sprays.

Articles upholstered in touch leather or synthetic material. (TOUCH LEATHER, NILO AND VALENCIA):

- Normal cleaning with a microfibre cloth, slightly humidified with warm water and then dry with a dry cloth.
- Stains should be treated as soon as possible to prevent them from penetrating.
- For aggressive stains, such as pen marks, use a cloth humidified in a solution of water and diluted alcohol.
- Do not use abrasive products, cleaning waxes or cleaning sprays that are normally used in daily domestic use.
- Do not apply bitumen or chemicals.
- Never apply dry foam or scrape and/or scrub vigorously.
- Avoid exposure to heat sources.

Articles upholstered in leather:

- Clean carefully (without rubbing) with a simple cloth if possible made of microfibre humidified with water.
- If the stain is more important, add a little neutral soap (ph 5.5), rinse and leave to dry in the open air.
- For aggressive stains, such as pen marks, use a cloth humidified in a solution of water and diluted alcohol.
- Do not use abrasive products, cleaning waxes or cleaning sprays that are normally used in daily domestic use.
- Do not apply bitumen or chemicals.
- Never apply dry foam or scrape and/or scrub vigorously.
- Avoid exposure to heat sources.

02. PLASTIC AND WOODEN PARTS

- Normal cleaning with a cloth slightly humidified with warm water and a little neutral soap (ph 5.5), rinse and dry with a dry cloth.

03. METAL PARTS

- Normal cleaning with a cloth slightly humidified with warm water and a little neutral soap (ph 5.5), rinse and dry with a dry cloth.
- Polished aluminium parts can be polished with a dry cotton cloth to restore their original shine.

04. END OF LIFE PACKAGINGS



All packaging materials used can be disposed of without danger to the environment. The cardboard box can be broken or cut into smaller pieces, and the packing bag is made of polyethylene. All these packaging materials can be taken to a waste collection center or deposited at a recycling station. Dispose of transport packaging in the most environmentally friendly way possible. Returning packaging materials to the material cycle saves raw materials and reduces waste production.

PRODUCT

All Dileoffice products have a high degree of recyclability at the end of their life. After separation of their components, the majority of them can be dismantled, this facilitates the separation of the different materials. It is recommended to deliver them to a recycling center for proper separation and processing, thus contributing to the environment.

WARRANTY

The guarantee period is 5 years from the invoice date, during which time DILE undertakes to replace defective or broken parts. DILE will not be responsible for

the improper use of our products and no guarantee will be given for deterioration due to incorrect use and/or for the use of products that are not recommended for

maintenance. It is possible to extend the guarantee for specific projects/products by contacting the sales department.