

“X is balance between function, desire and need”.
This is how Jorge Pensi defines his new operating chair designed for Dile.

Equis, the new operating chair, bursts onto the seating market as a model with a distinct identity and at the same time with a clear personality, specially emphasized by the arms that emerge from the backrest. It is possible to incorporate a height adjustable or aluminium arm, which allows the user to choose the most suitable option for his needs. It also incorporates a quick anchorage system from the back to the seat without screws, making it quick and easy to assemble. Unique ergonomics, design and technological qualities are combined in an ideal product for new work spaces.

Designed to make the user's life easier. Light and robust at the same time, it is a real innovation and a great step forward in the Dile office chairs catalog.

EQUIS



3D GABRIEL MESH

BACKREST UNION AND SCREWLESS MECHANISM

MADE IN THE EUROPEAN UNION

EN 1335-1/2y3 2001



Designed by JORGE PENSI

He was born in Buenos Aires (Argentina), in 1946. He studied architecture in his hometown. In 1975 he moved to Barcelona, where he has been working ever since. Once he arrived in Barcelona, he formed a partnership with Alberto Lievore and Norberto Chaves, also from Buenos Aires. Together they created the Berenguer Group, in which Pensi collaborated until 1984, the year he decided to create his own design studio. His studio is specialized in the design of furniture, lighting and assemblies for different events.

Author of avant-garde and innovative designs, he has collaborated with important national and international companies. One of the many awards he has received in his career is the Spanish National Design Award in 1997, granted by the Ministry of Industry and Energy for his professional achievements.

3 page
Swivel chair



5 page Dimensions

6 page Sustainable Equis

7 page Ergonomics

8 page Finishes

9 page Instructions for use / Arms

12 page Instructions for use / Mechanism

13 page Assembly instructions

15 page Certificates, maintenance, cleaning and warranty

01.

Backrest

Backrest structure made of black or white polyamide (PA6) plastic injection moulding, reinforced with 15% fibre. Backrest made of high-strength technical mesh (Gabriel).

With adjustable lumbar support.



It incorporates a quick anchorage system for the backrest to the seat without screws, allowing quick and easy assembly.

02.

Seat

Seat exterior in black or white injected polypropylene plastic, depending on the base, 100% recyclable. Optional fireproof treatment (UNE 23727/90 / UNE 23721/90 / UNE 23724). Beech plywood interior (MQ cert. 07-175), covered with 72 kg/m³ high density expanded polyurethane fireproof foam (EN ISO 845) and combined double and simple flange stitching.

It is equipped with a seat adjustment system that works independently of the mechanism, and has 5 different positions to adapt the depth of the sitting position and a translation of 6 cm.



05.

Headrest (Optional)

Headrest structure made of black or white polyamide (PA6) plastic injection moulding, reinforced with 15% fibre. Headrest made of high-strength technical mesh (Gabriel).

1. Height adjustment.
2. Inclination adjustment.

VERY IMPORTANT!

The headrest cannot be mounted once the chair is delivered, the anchoring of the headrest to the backrest is done at the factory.



04.

Gas column, bases and wheels

- Elevation using a class 4 black gas lift, tested for users weighing up to 150 kg.
- Polished aluminum base with a diameter of 69 cm. This model comes with double Desmopan rubber wheels 65 mm diameter with chrome finish.
- Base in white epoxy painted aluminum (RAL 9010), 69 cm diameter. This model comes with double Desmopan rubber wheels 65 mm diameter with chrome finish.
- Base in black nylon, 71 cm diameter. This model comes with double Desmopan rubberized nylon wheels of 65 mm diameter.
- The base connection bolt has a circular nylon ring to prevent noise when used on metal or aluminum bases.
- Optional: Anti-slip gliders in black nylon.



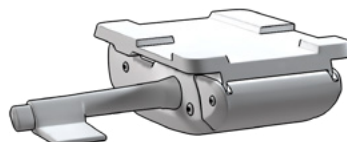
03.

5-position synchro mechanism (BS 5459 part 2/00 A.5.5 / ANSI BIFMA x5.1-2011/5/6/10)

The synchro mechanism allows the seat and backrest to tilt synchronously with the central axis of the chair, but independently for models that are not monocoque. Thus, it is possible to adjust the degree of inclination of the backrest and seat.

Characteristics of this system are the following:

- Up to 20° of backrest inclination, with 5 locking positions by button.
- Up to 6° of seat inclination, which is the working position 0°.
- Self-weighting function from 65 to 150 kg.



05.

Armrests (optional)



-Integrated in the backrest.



- BR02/BR23: Height adjustable, black or white polypropylene injection molded. Black polyurethane injection molded armrests.

1. Height adjustment 11 cm, with 10 locking positions.



-BR03: 3D, black polypropylene injection. Armrests in black polyurethane injection.

1. Height adjustment 11 cm, with 10 locking positions.
2. Multi-position adjustment of the armrest It can be slid 19 cm forward and backward, and 6 cm to the side, and can adopt any position between these measurements.



-BR04: 4D, black polypropylene injection. Polyurethane armrests.

1. Height adjustment 7 cm, with 6 locking positions.
2. Armrest depth adjustment, 3 cm in each direction.
3. Rotation of the armrest, 30° maximum in each direction.
4. width adjustment between the armrests, up to 3 cm in each direction.



-BR24: Fixed, in aluminum injection. Armrests in black polypropylene.



06.

Mesh

Highly resistant technical mesh backrest (Gabriel), whose characteristics are:

Composition: 100% Fire retardant polyester

Weight: 525 g/m².

Resistance to abrasion: EN ISO 12947-2/98 + 70.000 cycle.

Pilling resistance: EN ISO 12945-2 5/5.

Colour fastness to light: EN ISO 105-B02 level 5-7

Fastness to Rubbing:

Dry: UNE-EN ISO / 105-X122003 4/5

Wet: UNE-EN ISO 105-X122003 4/5

Acoustic test air flow resistance:

EN 29053 & ISO 9053-1

Colour fastness to perspiration:

AATCC 15. Level 1-5; 5

Breaking strenght: ASTM D4034

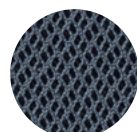
Rubbing Solvents:

BS EN ISO 6330 4M 40 C PC

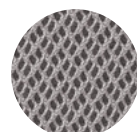
Inflammability cigarette and match): BS EN 1021-1&2



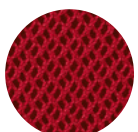
02 / Black



05 / Blue



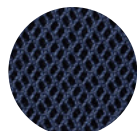
12 / Clear grey



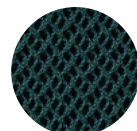
18 / Red



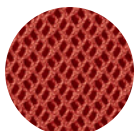
22 / Anthracite



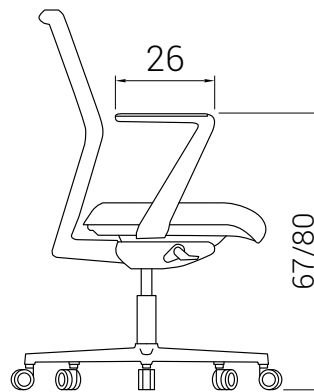
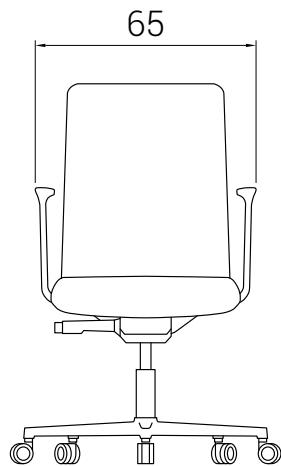
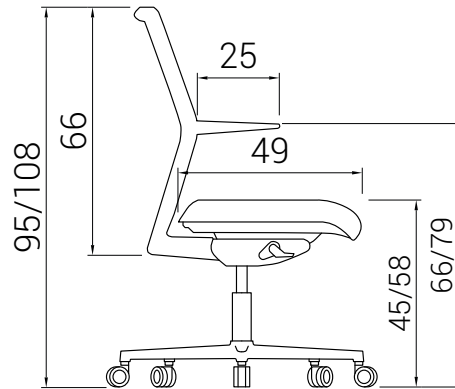
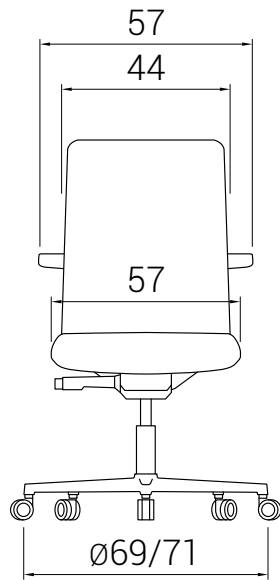
27 / Sea blue



30 / Dark green



31 / Brick red



EQUIS SUSTAINABLE


97%
RECYCLABLE

26% Metal
5% Polypropylene
43% Other plastic materials
15% Wood
11% Others



BACKREST
Black or white polyamide plastic injection.
High resistance technical mesh.

SEAT
Polypropylene exterior.
Beech plywood interior covered with polyurethane foam.

MECHANISM
in steel.

BASE
in black nylon, polished aluminium or white painted aluminium.

WHEELS
double rubber of Desmopan.

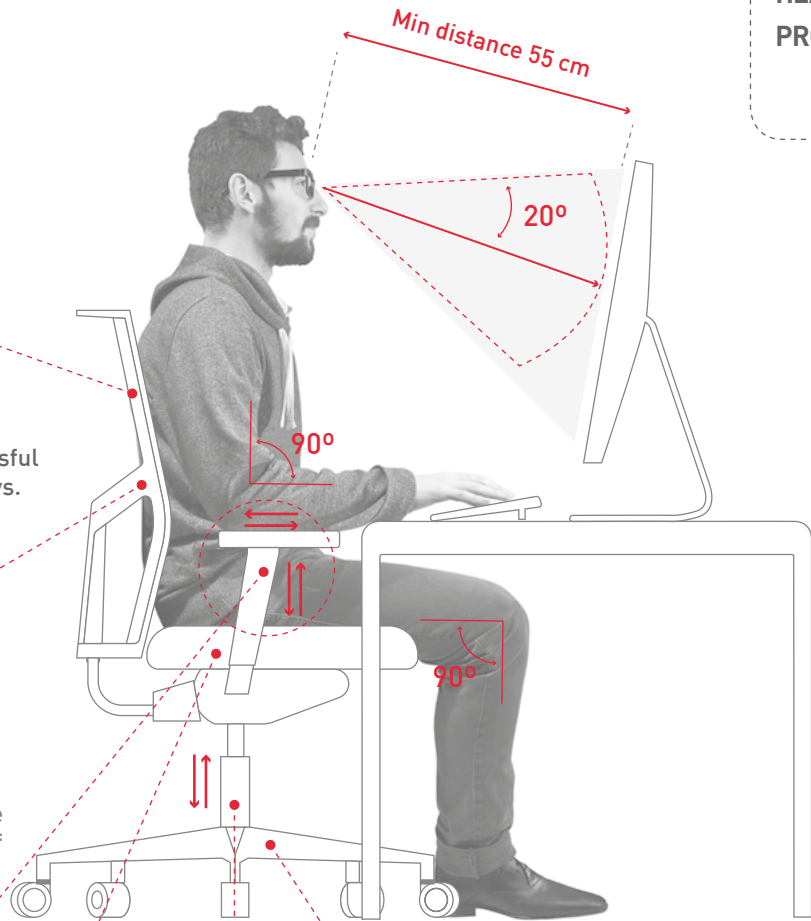
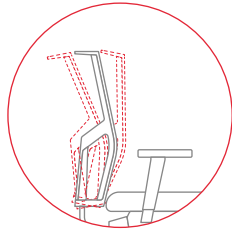
EN 1335-1/2y3 2001

- ✓ 100% recyclable cardboard packaging, made from 90% recycled materials.
- ✓ Dileoffice is certified according to ISO 9001:2015, 14001:2015 and 14006:2020. All phases of the production process, from the receipt of components to the delivery of the finished product, are meticulously managed to minimise the impact on the environment.
- ✓ Dileoffice chairs are assessed by AIDIMEE to certify the compliance of each product with UNE EN standards.
- ✓ If it is necessary to replace the entire chair or any of its parts, the end customer will be informed of the recycling management of each element according to the composition of the materials.
- ✓ Transport is carried out by scheduled routes, giving priority to fuel savings. We use our own transport trucks, always trying to use the maximum volume, and minimising the volume in the packaging.
- ✓ The recyclability percentage is obtained from an average of the elements that compose the analyzed family.

DILE ERGONOMICS



GOOD POSTURE IS ESSENTIAL TO AVOID HEALTH PROBLEMS



01.
THE INCLINATION OF THE SEAT AND THE BACKREST
 A synchronized movement of the seat and backrest, configure a very successful solution for long working or study days.

02.
LUMBAR ADJUSTMENT
 The backrest must provide good support for the entire back and be adapted to the lumbar part. The lumbar adjustment mechanism allows the curvature of the chair to be adjusted according to the curvature of the user's back for better support.

03.
ADJUSTABLE ARMRESTS
 The forearms should be parallel to the work surface and form a right angle with the arm.

04.
THE STRENGTH OF THE SEAT
 The seat must offer firmness and adaptation to the user's physiognomy.

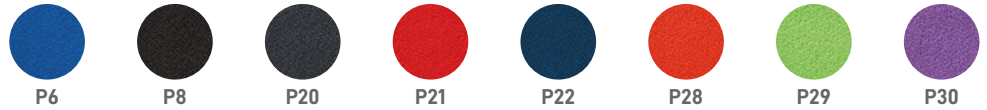
05.
CHAIR HEIGHT ADJUSTMENT
 The possibility of adjusting the height allows for the correct posture, with the feet comfortably resting on the floor and the legs in a horizontal position.

07.
FABRIC
 Depending on the area of use and climate, one fabric or another should be chosen.

06.
BASES
 The base of the chair should have 5 points of support for the wheels on the ground, to facilitate their movement with minimal effort.

“Don't forget to take a break to stretch and move around regularly”

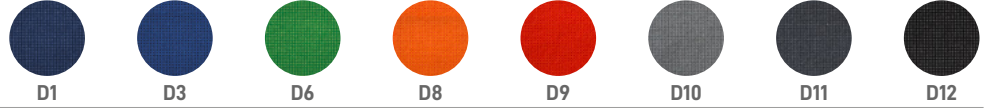
01
BALI (G01)



02
POLYESTER (G01)



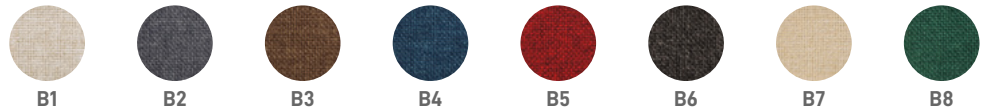
03
GOYA (G01)



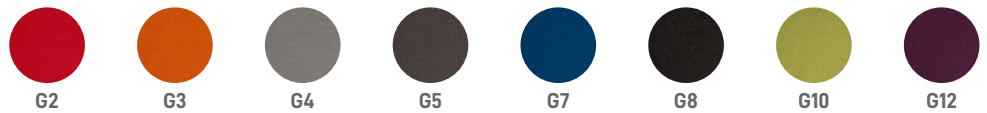
04
TOUCH LEATHER (G01)



05
COMBI (G01)



06
OCEAN (G02)



07
ELASTIKA FR (G02)



08
ORUGA (G02)



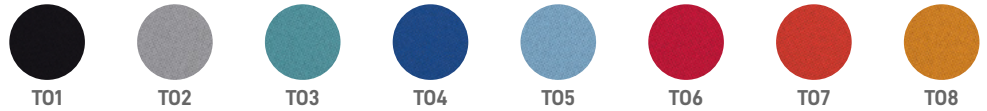
09
NILO (G02)



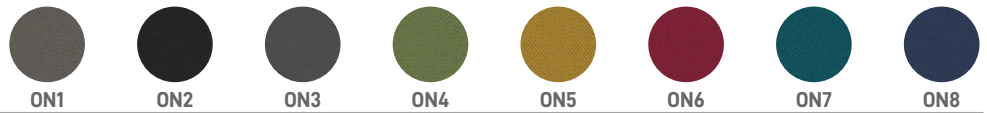
10
MADISON (G02)



11
TONAL (G02)



12
ONE (G02)



13
VALENCIA (G03)



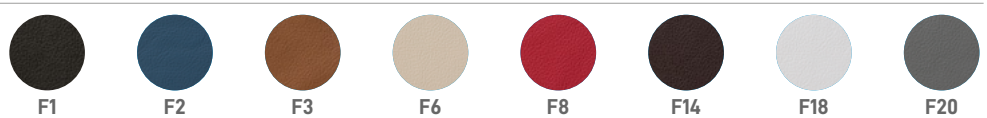
14
DEKORA (G03)



15
FELICITY (G03)

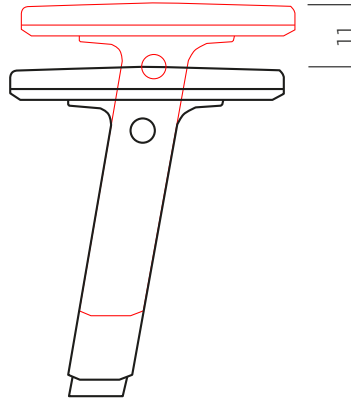
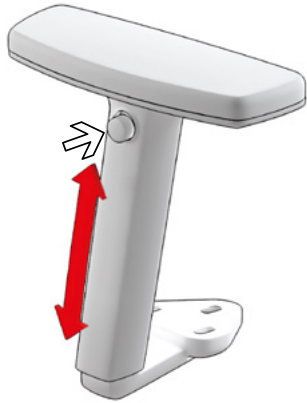


16
LEATHER (G04)



1. Arms

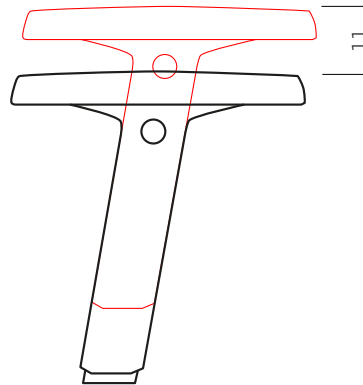
BR02/BR23



HEIGHT ADJUSTMENT

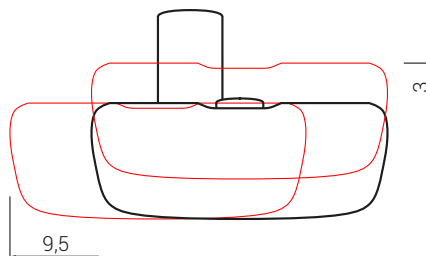
Press the button on the armrest (arrow) and without releasing it, adjust the height of the armrest. Once in the desired position, release the button.

BR03



ADJUSTING THE HEIGHT

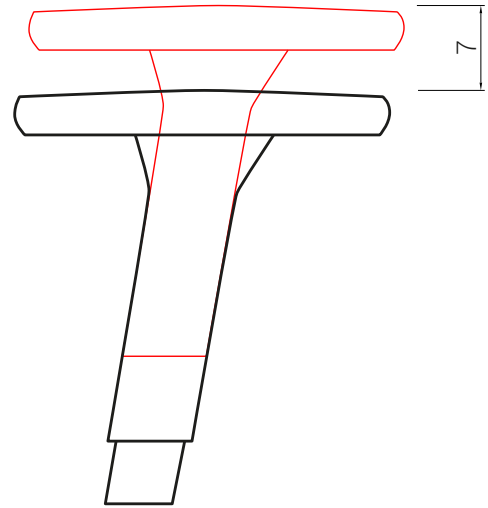
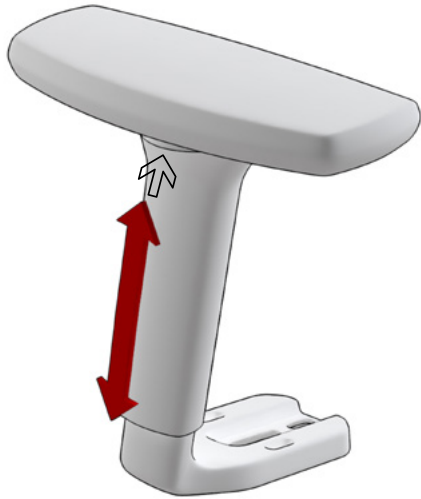
Press the button on the armrest (arrow) and without releasing it, adjust the height of the armrest. Once in the desired position, release the button.



MULTI-POSITION ADJUSTMENT

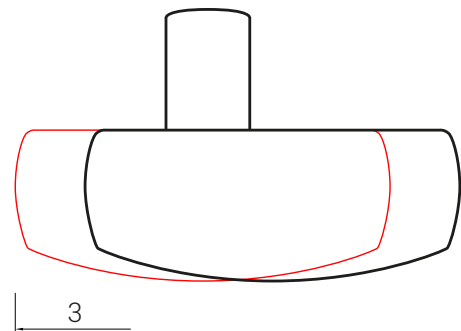
Press the armrest button (arrow) and, without releasing it, adjust the position of the armrest both lengthwise and widthwise. Once in the desired position, release the button. It moves in each direction by 9.5 cm lengthwise and 3 cm widthwise.

BR04



HEIGHT ADJUSTMENT

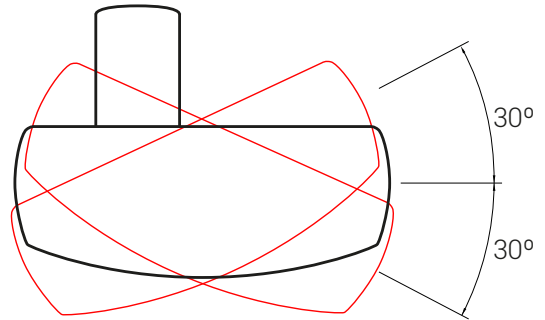
Press the button on the armrest (arrow) and without releasing it, adjust the height of the armrest. Once in the desired position, release the button.



ADJUSTING THE DEPTH OF THE ARMREST

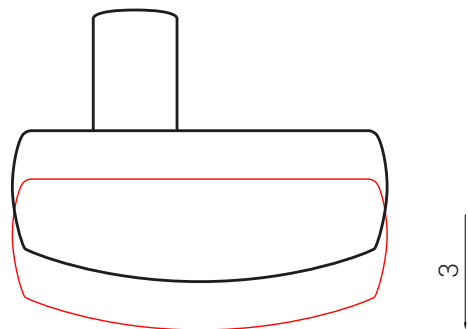
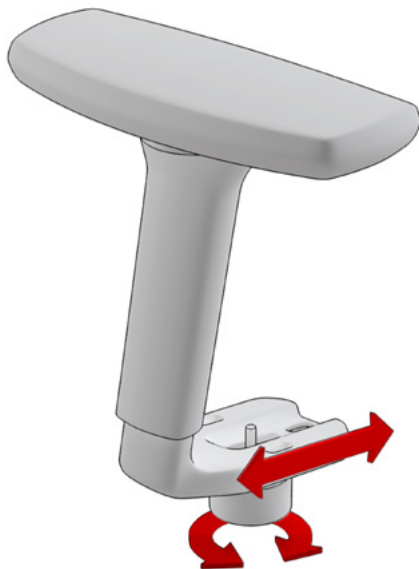
By pressing firmly on the armrest, the armrest is pushed forward or backward to the desired position. It moves 3 cm in each direction.

BR04



ARMREST ROTATION

By pressing firmly on the armrest, a force is produced by turning the armrest inward or outward until it is in the desired position.

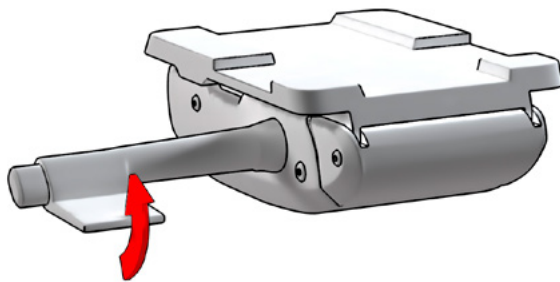


ARMREST WIDTH ADJUSTMENT

Loosen the screw on the armrest. Move the armrest to the desired position. Tighten the lower screw.

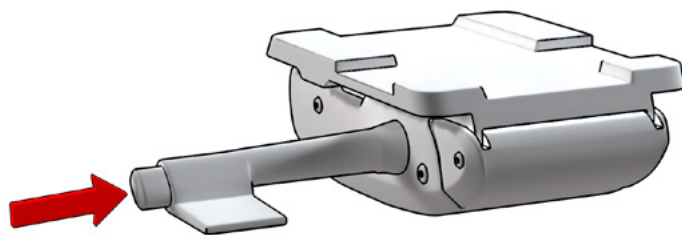
2. Mechanism

SYNCHRO-SLIDE MECHANISM



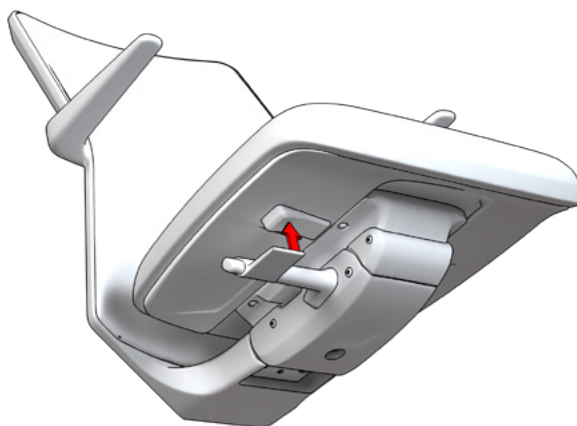
GAS LIFT

By lifting the handle we unlock the gas column. Without weight the chair lifts up. With the user seated, the chair goes down. Once the handle is released, the gas column is blocked again.



ADJUSTMENT FOR SEAT/BACKREST INCLINATION (SYNCHRO)

At the end of the gas lift handle there is a button. By pressing it, we release the synchro device, which allows, with the user seated, to modify the angle of the seat and backrest inclination in a synchronized way. By releasing the button, the seat and backrest are fixed in the desired position. To unlock it, press the button and use your back to exert weight.

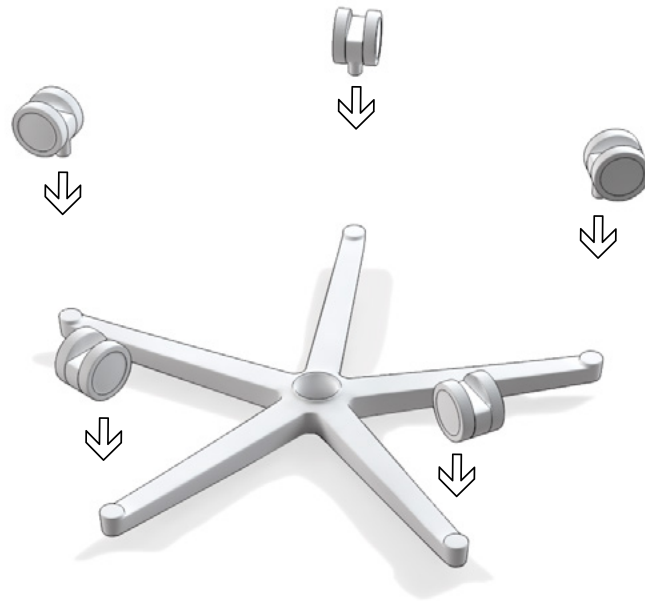


ADJUSTING THE SLIDING OF THE SEAT (SLIDING SYSTEM)

There is a button on the lower right side of the seat. Pressing it upward releases the seat slider. Once it has been moved to the desired position, we release the button, establishing the position of the seat.



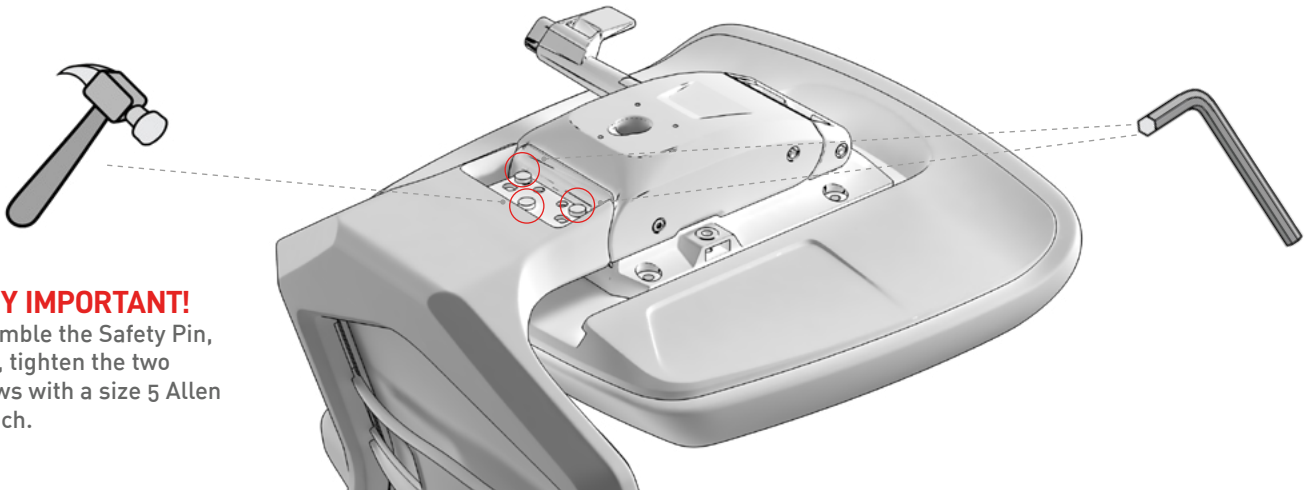
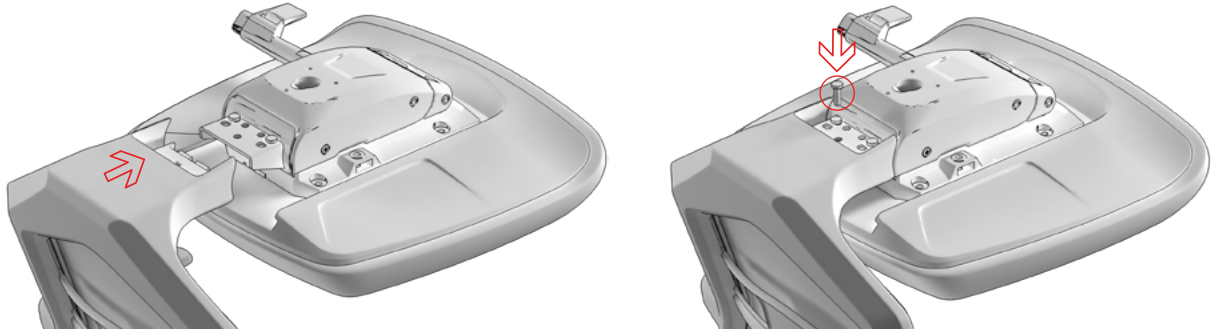
1.



2.



3.



VERY IMPORTANT!
Assemble the Safety Pin,
Next, tighten the two
screws with a size 5 Allen
wrench.

4.



CERTIFICATES

DILE has ISO 9001 quality certificates, which establish the requirements that a company must fulfil in order to implement an adequate quality management system in its production system, ISO 14001, which implies a commitment to and sustainable management with the environment, and ISO 14006, which is a certifiable guarantee that an organisation identifies, controls and minimises the environmental impact of its products and/or services in all phases of its life cycle, including the project and design phase.

Aidimme is the Technological Institute for the processing of metals, furniture, wood, packaging and related products. It is Aidimme that tests our chairs and issues certificates accrediting their ergonomics, durability and resistance.

Equis has the UNE EN 1335:2001 certificate parts 1, 2 and 3.

FAMO is the Association of Manufacturers of Furniture and General Equipment for Offices and Communities. Since 1986, it has represented and defended the interests of companies in the office and community furniture sector, promoting their image and presence in international markets. DILE has been a member of the FAMO since 2008.



MAINTENANCE AND CLEANING

01. FABRIC

Articles upholstered with these fabrics (BALI, POLIESTER, GOYA, COMBI, MADISON, OCEAN, ELASTIKA FR, ORUGA, TONAL AND DEKORA):

- Frequent vacuuming or dry cleaning.
- Normal cleaning with a cloth slightly humidified with warm water and if the stain requires it, add a little neutral soap (ph 5.5), rinse and leave to dry in open air (avoid the sun).
- Do not use bleaching agents, abrasive products, cleaning waxes or ordinary domestic cleaning sprays.

Articles upholstered in touch leather or synthetic material. (TOUCH LEATHER, NILO AND VALENCIA):

- Normal cleaning with a microfibre cloth, slightly humidified with warm water and then dry with a dry cloth.
- Stains should be treated as soon as possible to prevent them from penetrating.
- For aggressive stains, such as pen marks, use a cloth humidified in a solution of water and diluted alcohol.
- Do not use abrasive products, cleaning waxes or cleaning sprays that are normally used in daily domestic use.
- Do not apply bitumen or chemicals.
- Never apply dry foam or scrape and/or scrub vigorously.
- Avoid exposure to heat sources.

Articles upholstered in leather:

- Clean carefully (without rubbing) with a simple cloth if possible made of microfibre humidified with water.
- If the stain is more important, add a little neutral soap (ph 5.5), rinse and leave to dry in the open air.
- For aggressive stains, such as pen marks, use a cloth humidified in a solution of water and diluted alcohol.
- Do not use abrasive products, cleaning waxes or cleaning sprays that are normally used in daily domestic use.
- Do not apply bitumen or chemicals.
- Never apply dry foam or scrape and/or scrub vigorously.
- Avoid exposure to heat sources.

02. PLASTIC AND WOODEN PARTS

- Normal cleaning with a cloth slightly humidified with warm water and a little neutral soap (ph 5.5), rinse and dry with a dry cloth.

03. METAL PARTS

- Normal cleaning with a cloth slightly humidified with warm water and a little neutral soap (ph 5.5), rinse and dry with a dry cloth.
- Polished aluminium parts can be polished with a dry cotton cloth to restore their original shine.

04. END OF LIFE PACKAGINGS



All packaging materials used can be disposed of without danger to the environment. The cardboard box can be broken or cut into smaller pieces, and the packing bag is made of polyethylene. All these packaging materials can be taken to a waste collection center or deposited at a recycling station. Dispose of transport packaging in the most environmentally friendly way possible. Returning packaging materials to the material cycle saves raw materials and reduces waste production.

PRODUCT

All Dileoffice products have a high degree of recyclability at the end of their life. After separation of their components, the majority of them can be dismantled, this facilitates the separation of the different materials. It is recommended to deliver them to a recycling center for proper separation and processing, thus contributing to the environment.

WARRANTY

The guarantee period is 5 years from the invoice date, during which time DILE undertakes to replace defective or broken parts. DILE will not be responsible for

the improper use of our products and no guarantee will be given for deterioration due to incorrect use and/or for the use of products that are not recommended for

maintenance. It is possible to extend the guarantee for specific projects/products by contacting the sales department.